

Service Manual



AVE2

Birthing bed

Table of Content

1 Introduction - General information	4
1.1 Product label and technical label – location	4
1.2 Product and technical label description	5
1.2.1 REF number meaning	5
1.3 Identification of bed sides	6
2 Technical data and Symbols.....	7
3 Theory of Operations	8
3.1 Control box	8
3.1.1 Transformer	9
3.1.2 Rechargeable battery	9
3.1.3 Control board.....	10
3.1.4 Control unit modes and safety functions	10
3.1.5 Bed wiring diagram.....	12
3.2 Interfaces and controllers	13
3.2.1 Side rail interfaces.....	14
3.2.2 Backrest interfaces	16
3.2.3 Lifting column interface	19
3.3 Side rails.....	20
3.4 Nurse call	22
3.5 Footrest	23
3.5.1 Positioning of the gas springs	25
3.6 Legrests.....	26
3.7 Actuators	28
3.7.1 Backrest actuator	29
3.7.2 Seat section actuator.....	29
3.8 Lifting column	30
3.9 USB charger	31
3.10 Under-Light of the bed.....	32
3.11 Castors	33
3.12 Upholstery	34
3.12.1 Upholstery of the backrest and the Head Rest.....	34
3.12.2 Upholstery of the Foot Section	35
3.12.3 Upholstery of the Leg Rests	35
4 Bed Diagnostic.....	36
4.1 LED Blinking statuses	36
4.2 Acoustic signalisation	37
4.3 Reset control board	37
5 Bed Setup	38
5.1 Backrest accelerometer calibration	38
6 Service Tools and Equipment.....	39
6.1 List of tools and equipment	39

1 Introduction - General information

1.1 Product label and technical label – location




The label is situated on the tube of the upper frame, at the back



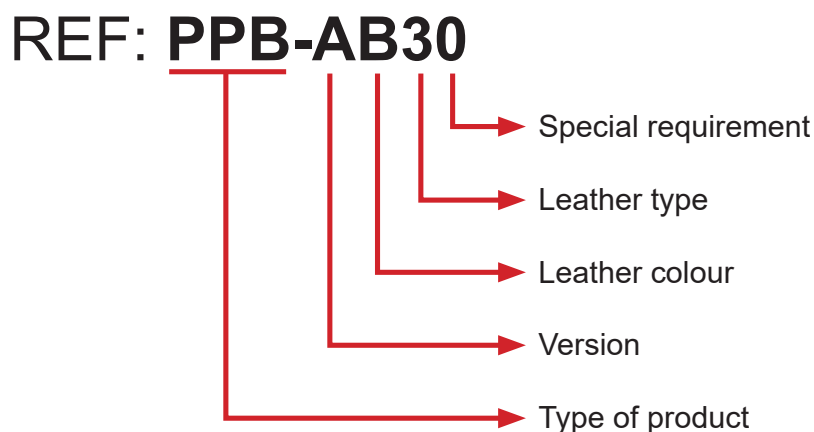
1	2	3
 BORCAD MEDICAL BORCAD Medical a.s. Fryčovice 673, 739 45 Czech Republic www.borcadmedical.com Made in Czech Republic	AVE2 REF PPB-A A 30 SN PPB1869 MODEL: 4BCPPB3-3AL00BC 	2020-03-19 = 240 kg = 255 kg = 245 kg
4*	5	6
UDI (01)8596307001168 (11)200319 (21)PPB1869 	V: 220-240V, 50/60Hz P: max. 570VA int. on/off: max 2/18 min IP X4 Class:I	

See chapter 1.2 for product and technical label description

1.2 Product and technical label description

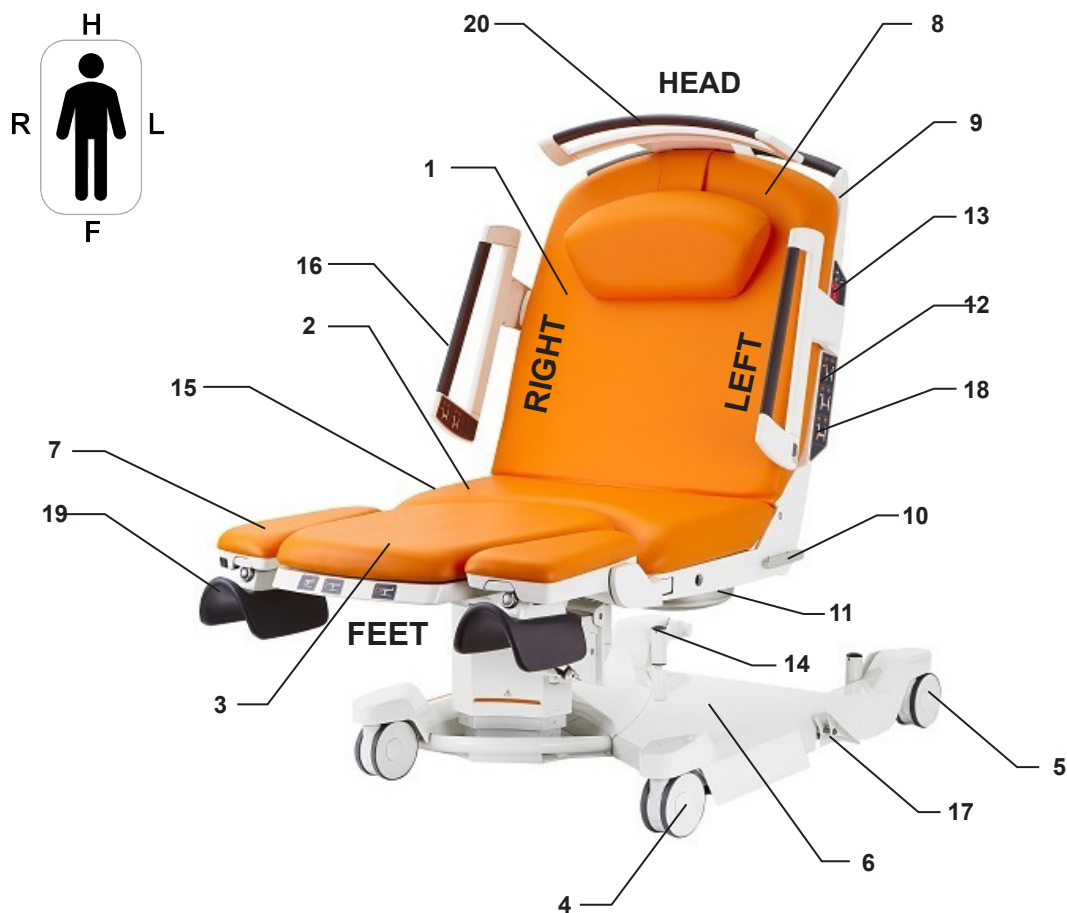
Pos.	Description
1.	Producer
2.	<p>Product informations</p> <p>REF: product designation SN: serial number MODEL: XXXXXX-YYYYYY (source: product configurator / IS) - XXXXXX: product prefix, defined by customer&producer - YYYYYY: exact designation of configuration</p>  barcode, includes SN  2017-05-16 date of production
3	Weight parameters
4*W	<p>UDI-Unique Device Identification *(Only for US)</p> <p>(01) GTIN (source: configurator/IS) (11) Date of production (source:IS) (21) SN (source:IS)</p>  DMX code, includes items (01), (11), (21)
5	<p>Electric parameters:</p> <p>V intended for this Voltage system P max power consumption Int. operating interval (max. 2min operate/min.18min standstill) IP level of IP protection Class category of medical device</p>
6	Informative Pictograms

1.2.1 REF number meaning



1.3 Identification of bed sides

Throughout this Service Manual, the words “right” and “left” refer to the right and left sides of a patient lying on his/her back on the bed.



Position	Description	Position	Description
1	Back section	11	Tray on swinging holder (accessories)
2	Seat section	12	Side control panel
3	Foot section	13	Control light for power supply
4	Directional castor, breakable - 1x	14	Holder for infusion stand
5	Breakable castor – 2 x	15	Hand grips
6	Plastic covers of chaises	16	Side-rails with electric control panel
7	Leg rests with leg straps	17	Central brake
8	Headrest	18	Manual CPR levers
9	Back handle for transportation	19	Calf support
10	Euro lath for equipment, along the seat section (accessories)	20	Detachable bed-head (accessories)

2 Technical data and Symbols

Follow User Manual for AVE2 D9U004PPB-0101 to find Technical Data and used Symbols.

3 Theory of Operations

The aim of the chapter is to explain the functional principles of sets and individual components of the given LINET product model, and their mutual relations.

3.1 Control box

The transformer **transforms input voltage** to 24V AC and sends it to the control unit. Mains power is supplied to the transformer via a three-core mains cable (in the relevant national standard). The power unit is standard at voltage 230V – 50/60 Hz, and alternatively at voltage 100, 110, 127V – 50/60Hz. A filter is in the mains connector of the control box and is connected by a guard wire to the undercarriage frame. The control box transformer contains two current fuses. The first fuse automatically disconnects voltage at a temperature of 100°C/212°F and reconnects the voltage after cooldown. The second fuse disconnects the voltage permanently at a temperature of 130°C / 266°F. The control box has two 3,15A fuses for the 230V version (2 x 6,3 A for low voltage – 100, 110, 127 V).

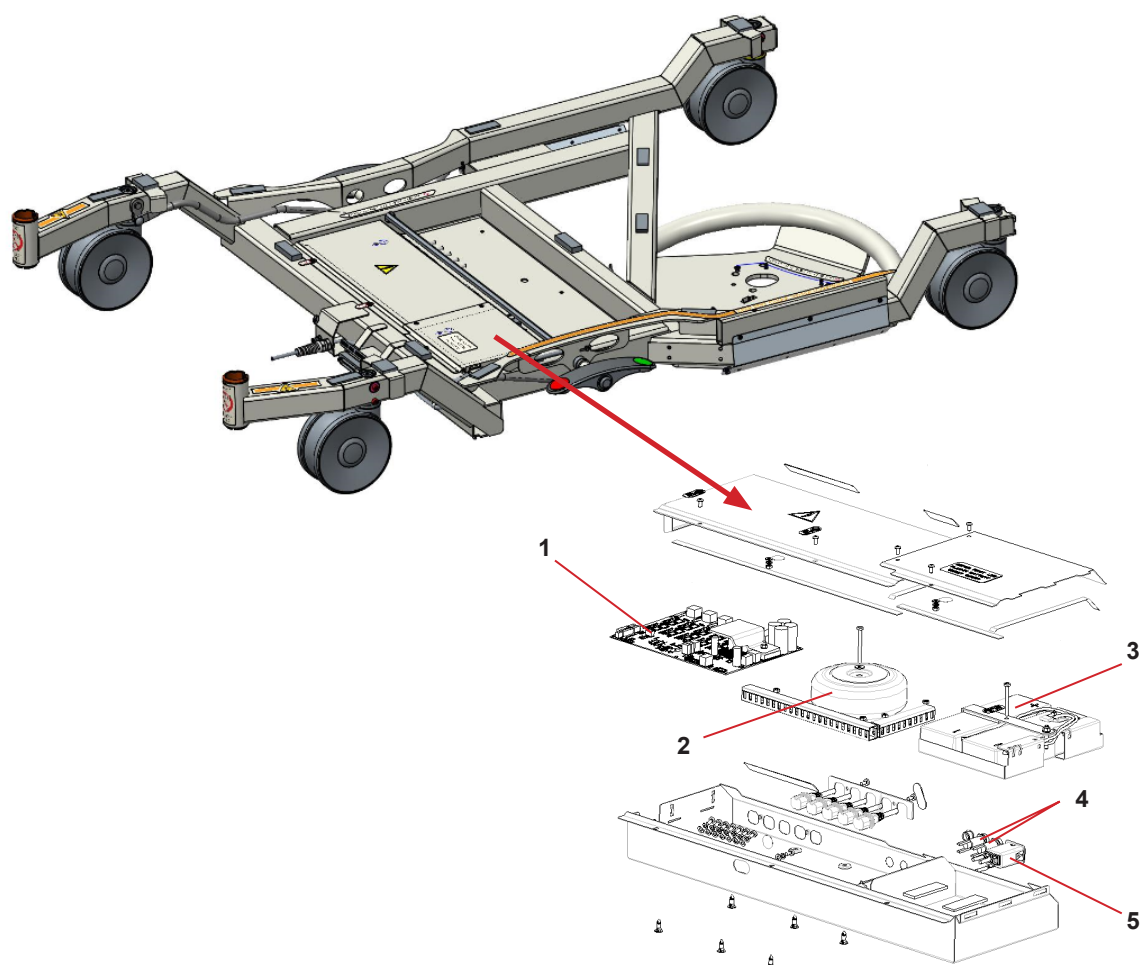


Fig. 1 Control box

Pos.	Description
1	Control board
2	Transformer
3	Battery
4	Mains connector with filter
5	Fuses

3.1.1 Transformer

Transformer overheating:

If the transformer in the main control box reaches	100°C / 212°F	The main control box automatically turns off and turns on automatically after cooling
	130°C / 266°F	The heat fuse blows. It is necessary to replace the main control box

Transformer technical parameters:

Parameters	Values
Prim.:	AC 230, 100, 110, 127V (±10%) / 50-60 Hz
Sec.:	0-24V/12A
Fuse protection:	2 x tube fuse 5 x 20mm T3,15A for 230V; T6,3A for 100-127
No-load voltage:	26,2V

3.1.2 Rechargeable battery

Lead hermetic rechargeable batteries 2x12V/2,3 Ah are connected in series, protected by a **25 A car fuse (32V) and irreversible (84°C) thermal fuse**. The rechargeable batteries serve as an emergency backup power source for the bed while it is disconnected from the mains electricity or during transport. The rechargeable battery type has no memory effect and should not be run fully flat to increase their lifespan.

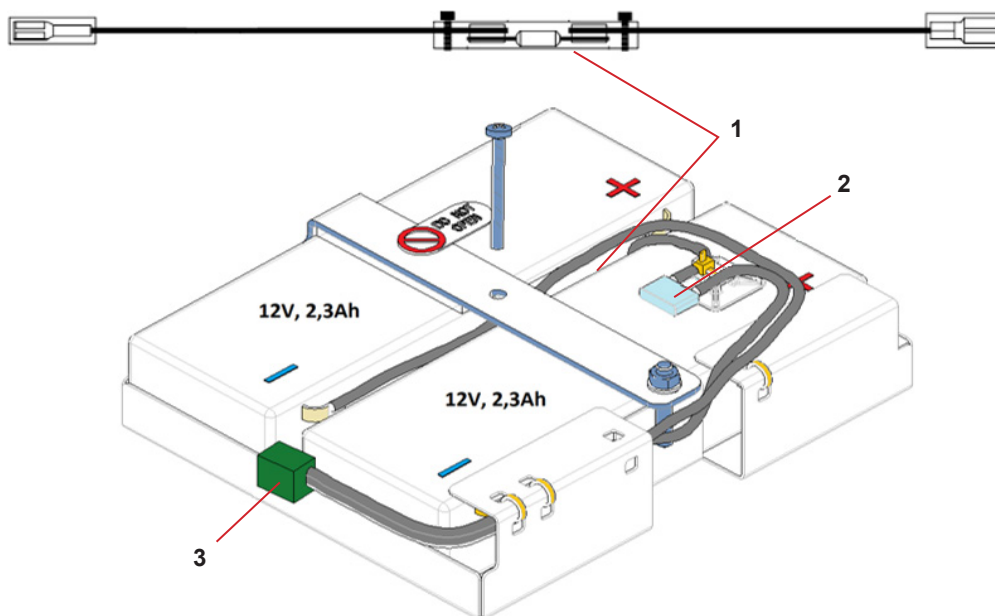


Fig. 2 Lead hermetic rechargeable batteries

Pos.	Description
1	Thermal fuse of the battery – irreversible (84°C)
2	Emergency fuse 25A, 32V
3	Connector for connecting the cable from the control board

3.1.2.1 Charging of rechargeable battery

The rechargeable batteries are charged intelligently from the control board. The charging method used is the more the battery is discharged, the higher the charging current and vice versa. When battery is charged, current limiting is automatically in maintenance mode.

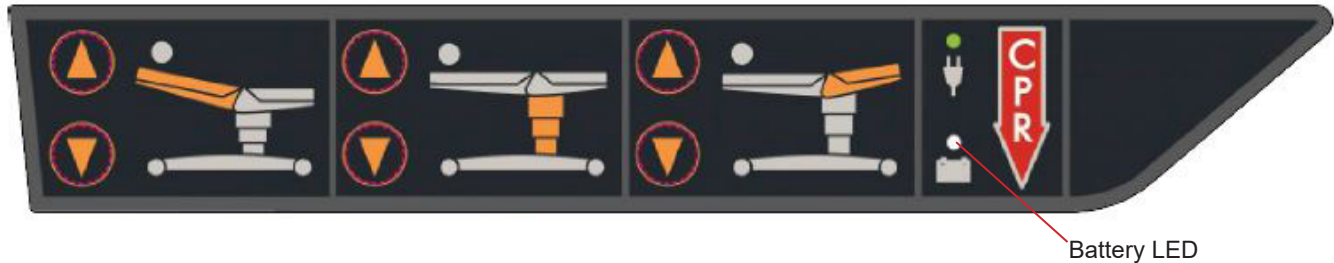



Fig. 3 Main backrest control

Information about charging and modes of the rechargeable battery is signalled by the rechargeable battery's LED on main backrest control as follows:

Battery LED indicator 	Meaning
OFF	The rechargeable battery is charged
Flashes	The rechargeable battery is charging
Permanently ON	No rechargeable battery (broken power lead, faulty rechargeable battery, missing rechargeable battery, faulty fuse)

3.1.3 Control board

The control unit **PPB-350.01** is used for **controlling** five linear units, with outputs for controllers and a **backup** rechargeable battery power source. It is controlled via low-voltage switches and allows the use of membrane keypads. The control unit has 5 outputs for the linear units, an input for connecting a rechargeable battery, an input for interfaces, 2 outputs for LED-Lightings. The control unit has a function to overcurrent protection of the lift units of the mattress platform, and to lock the units.

3.1.4 Control unit modes and safety functions

The architecture of the control unit is designed to exclude or significantly limit the risks arising from using a programmable electronic system.

The default general requirement is the **safety of the system**. The **basic safety features are:**

» STOP button located on the rear backrest foil controllers

The main STOP button immediately stops all movements of the bed (undesirable movement) if positioning is not permitted or during failure of electrical components. A 10 kΩ resistor is connected in parallel to the STOP button inside the keypad. The electronics of the system detect the correct connection of the resistor (connection of keypad and functionality of the STOP button). Its interruption (error in keypad, faulty resistor, cable...) is signalled by an intermittent tone from the control unit.

» Simultaneous pressing of any two buttons

In the event of uncontrollable movement of the bed caused by, for example, a broken button, the bed may be stopped immediately using the STOP button or by pressing any key (it must be a button other than the button causing the fault or Nurse Call, however). If it is pressed the movement of the bed will be blocked. Unblocking is automatic after all presses have been released (including the error ones).

» Measuring leaks

The all controllers buttons toggle the voltage divider. Interfaces measures the output voltage using the ADCs. There are two buttons on one ADC. Interfaces send these values to the control board, which evaluates them and decides on the validity of the button press.

» **Positioning function locks**

The positioning function locks have an **electronic** design and their current condition is always saved in an EEPROM type memory.

» **Detecting overload**

While **monitoring current** drawn by the motor units, the electronics stabilise the maximum current and thus partially limit start-up current spikes. If a **constant** current overload is detected, movement is halted.

» **Connectors**

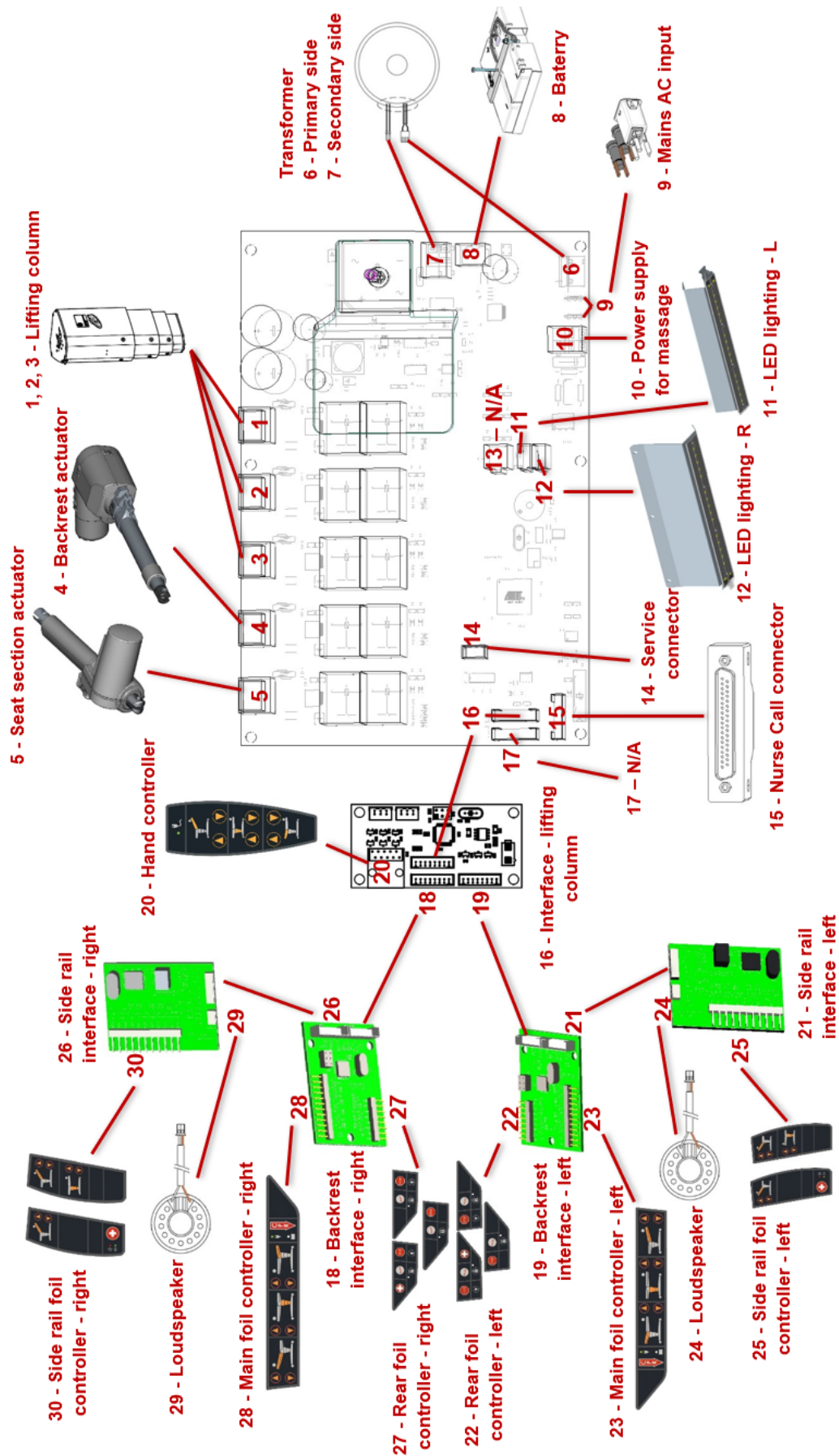
The inputs and outputs of the control unit have connectors of different type, meaning they **may not be mixed**. If connectors of the same type are used, mixing them up during assembly or servicing **does not lead** to damage of the control unit.

 **WARNING!**

Seat section actuator **do not connect into another actuator connector!**

If the seat section actuator is connected into a different one, the **seat section actuator might be damaged!**

3.1.5 Bed wiring diagram



3.2 Interfaces and controllers

All controllers are connected to the control board via interfaces. All the controllers buttons toggle the voltage divider. Interfaces measures the output voltage using 8bits ADCs. There are two buttons on one ADC. Interfaces **send** these values to the **control board**, which **evaluates** them and **decides** on the validity of the button press.

Values for validity press can be:	125 - 138	both buttons are pressed
	147 - 165	the first button is pressed
	180 - 195	the second button is pressed
	250 - 255	no button is pressed

Other values are evaluated as leaks.

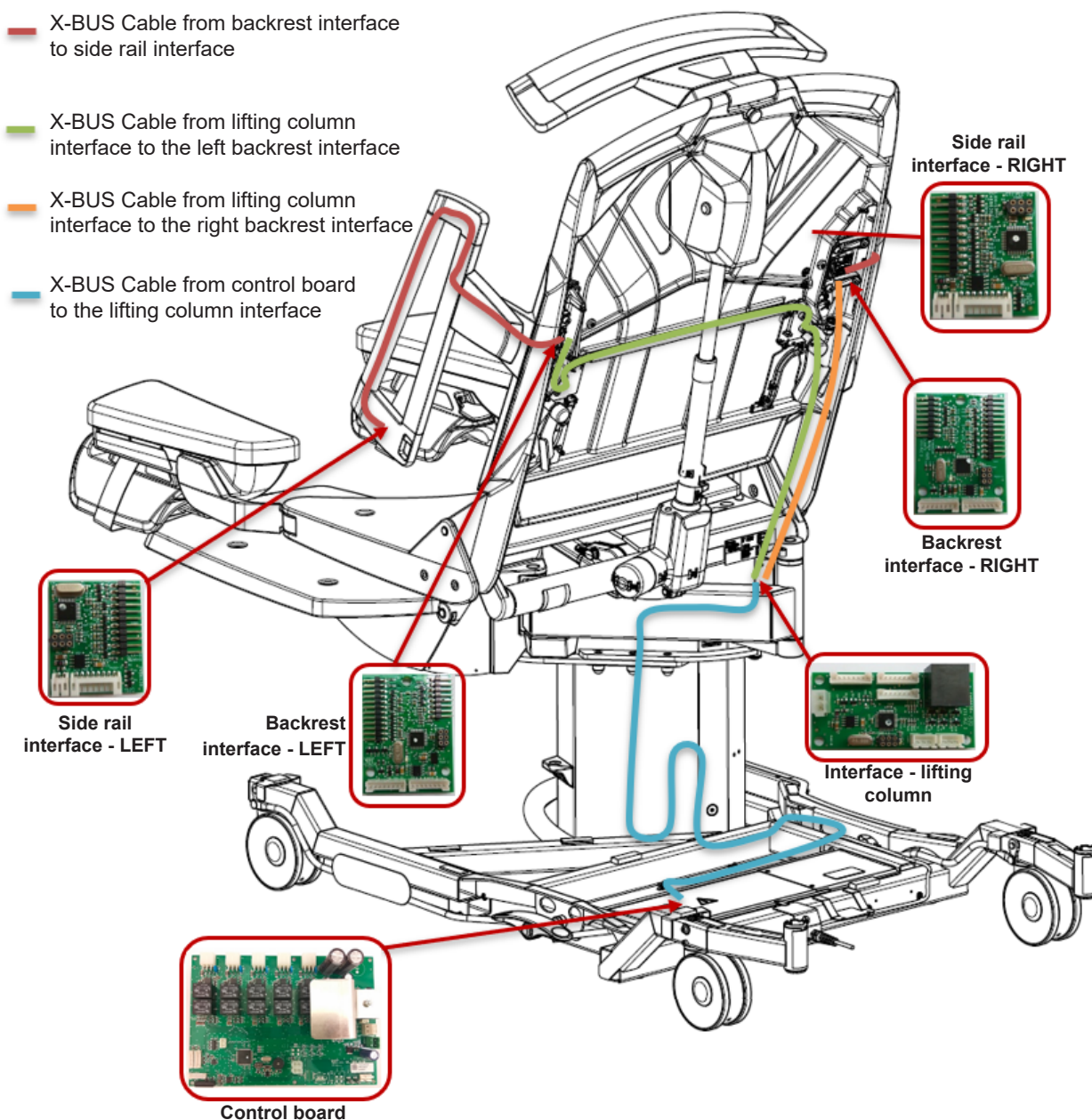


Fig. 4 Controllers wiring diagram

3.2.1 Side rail interfaces

Side rail interfaces measure the output voltage from side rail foil controllers (11-pins connector) and send these values to the control board. Side rail interfaces are connected to backrest interfaces by 8-pins X-BUS cables.

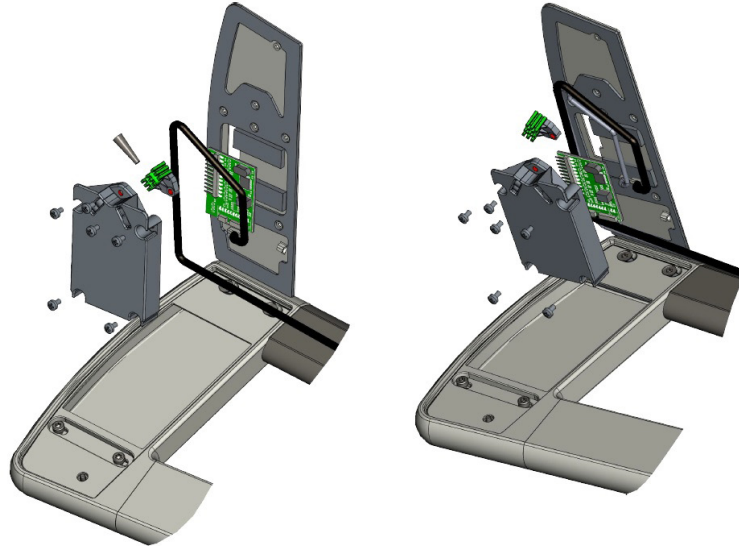


Fig. 5 Side rail interfaces

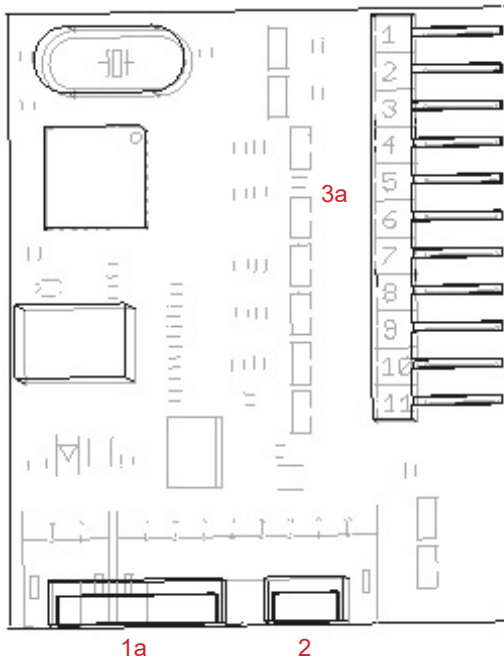


Fig. 6 Side rail interface - LEFT

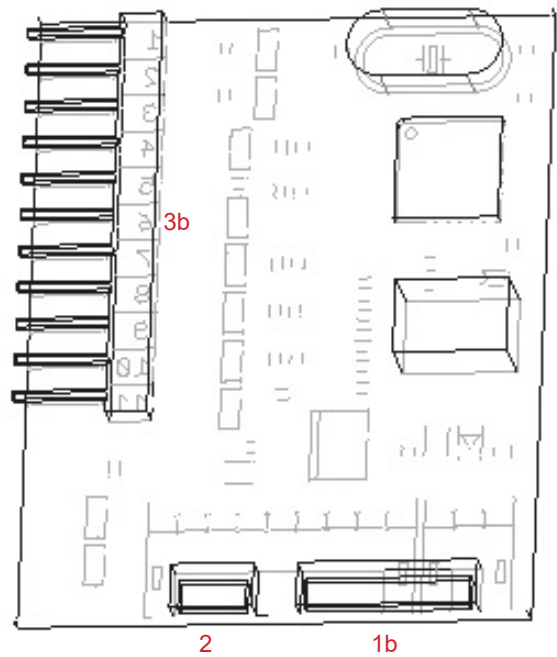


Fig. 7 Side rail interface - RIGHT

Position	Description
1a	X-BUS - backrest interface - LEFT
1b	X-BUS - backrest interface - RIGHT
2	NC loudspeaker
3a	Side rail foil controller - LEFT
3b	Side rail foil controller - RIGHT

3.2.1.1 Side rail foil controllers

The side rail foil controllers are connected to the side rail interfaces (left and right) via 11-pins connectors. The side rail foil controllers are available in two versions, with Nurse Call (backrest positioning buttons, Nurse Call button + 2 information LED) or without (backrest and lifting column positioning buttons). Resistance of any pressed button must be $<100\Omega$.

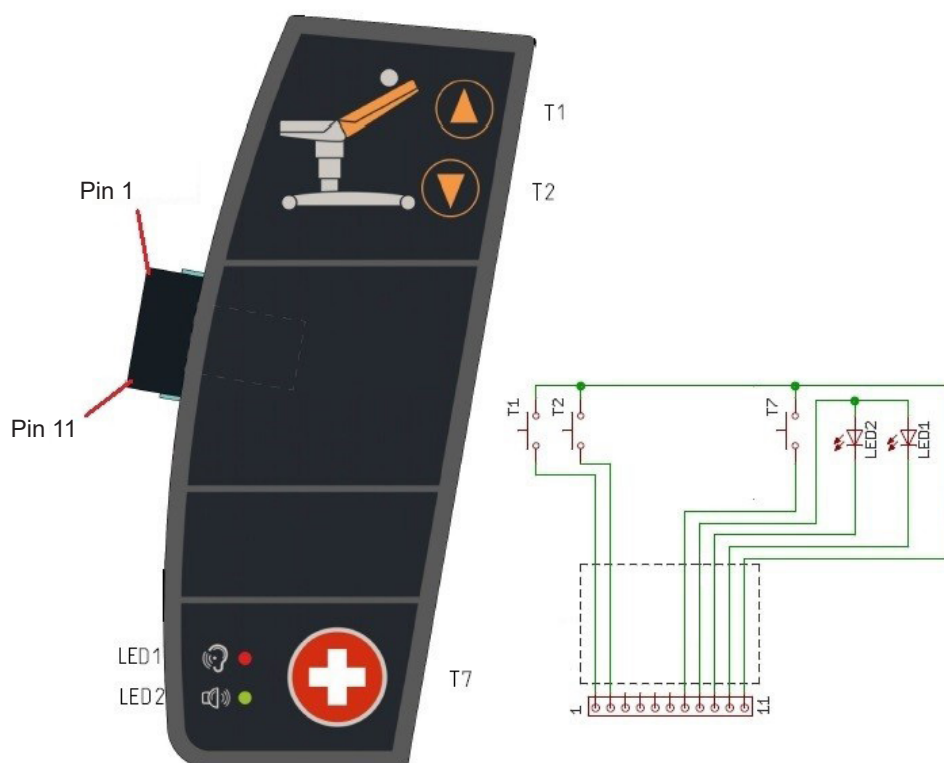


Fig. 8 Side rail foil controller - with Nurse Call (right)

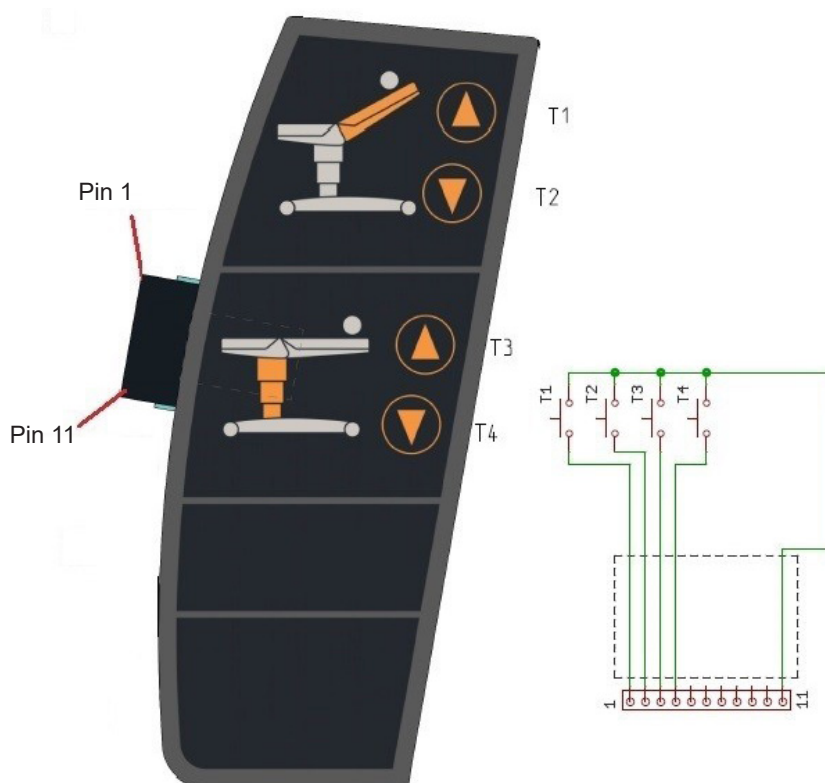


Fig. 9 Side rail foil controller - without Nurse Call (right)

3.2.2 Backrest interfaces

Backrest interfaces measure the output voltage from main foil controllers (12-pins) and rear foil controllers (8-pins) and send these values to the control board. Backrest interfaces are connected to side rail interfaces and lifting column interface by 8-pins X-BUS cables. Left bakrest interface includes accelerometer and **must be calibrated** after his replacement (see chapter "5.1 Backrest accelerometer calibration").

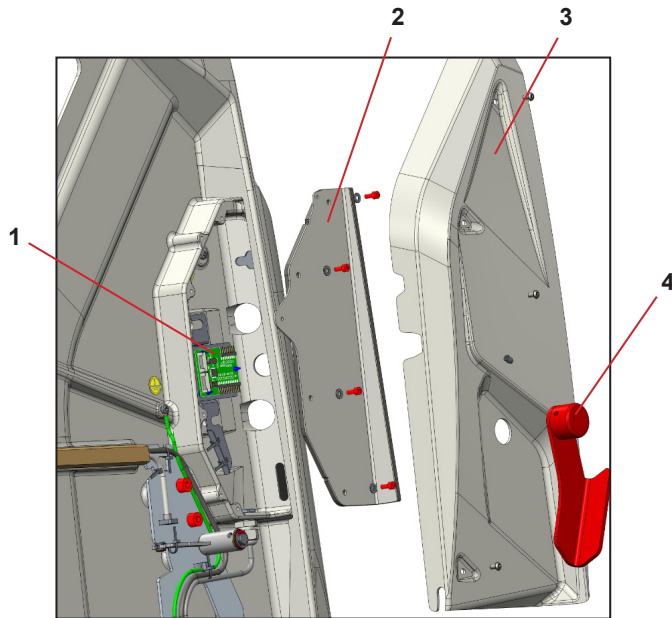


Fig. 10 Backrest interfaces

Position	Description
1	Backrest interface
2	Metal cover with sealing
3	Plastic cover
4	CPR lever

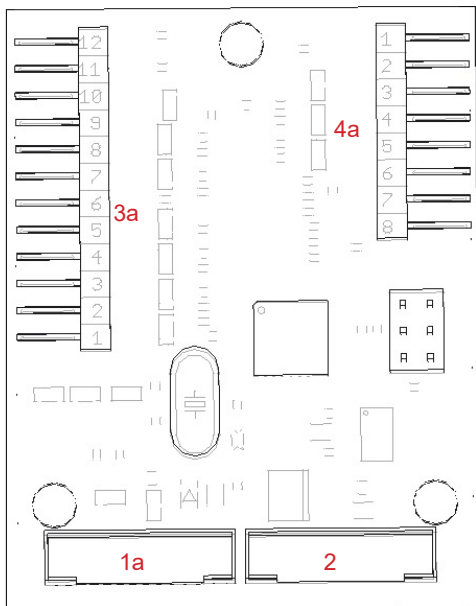


Fig. 11 Side rail interface - LEFT

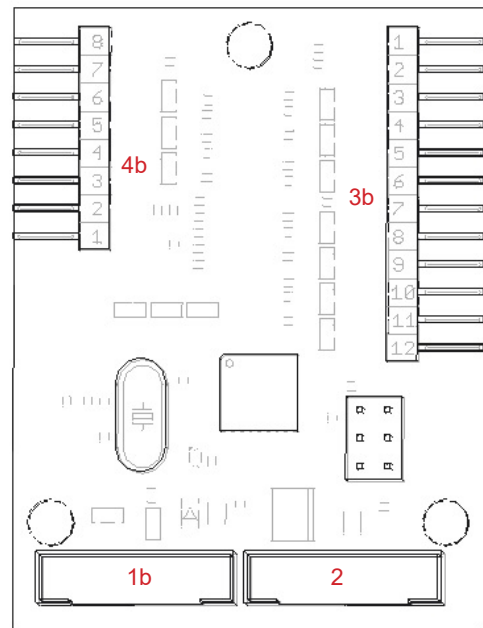


Fig. 12 Side rail interface - RIGHT

Position	Description	Position	DescriptionW
1a	X-BUS - side rail interface - LEFT	3b	Main foil controller - RIGHT
1b	X-BUS - side rail interface - RIGHT	4a	Rear foil controller - LEFT
2	X-BUS - lifting column interface	4b	Rear foil controller - RIGHT
3a	Main foil controller - LEFT		

3.2.2.1 Main foil controllers

The main foil controllers are connected to the backrest interfaces (left and right) via 12-pins connectors. The main foil controllers contain all positioning buttons (seat section, lifting column and backrest), mains indicator LED1 and battery indicator LED2. Resistance of any pressed button must be $<100\Omega$.

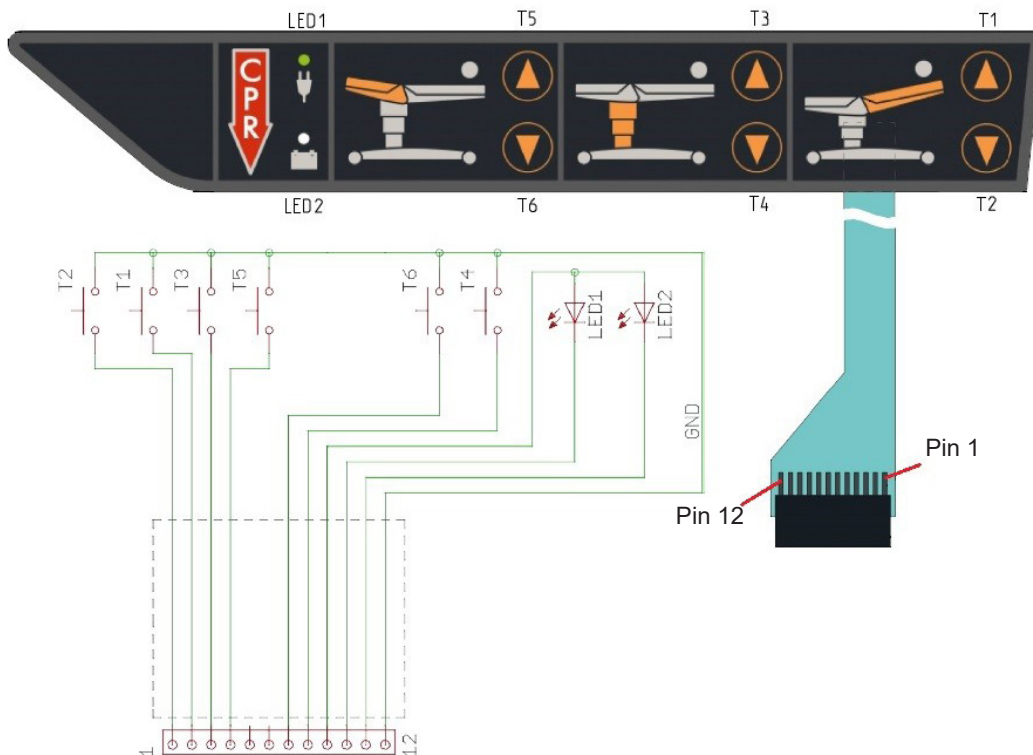


Fig. 13 Main foil controller

3.2.2.2 Rear foil controllers

The rear foil controllers are connected to the backrest interfaces (left and right) via 8-pins connectors. The rear foil controllers are available in three versions, **without lighting and Nurse Call** (STOP button, Trendelenburg button and Locking button with Locking button LED), **with lighting and without Nurse Call** (STOP button, Trendelenburg button, Lighting button and Locking button with Locking button LED) or **with Nurse Call** (STOP button, Trendelenburg button, Lighting button, Nurse Call button and Locking button with Locking button LED). A 10kΩ resistor is parallel connected with the STOP button. Resistance of any pressed button must be $<100\Omega$.

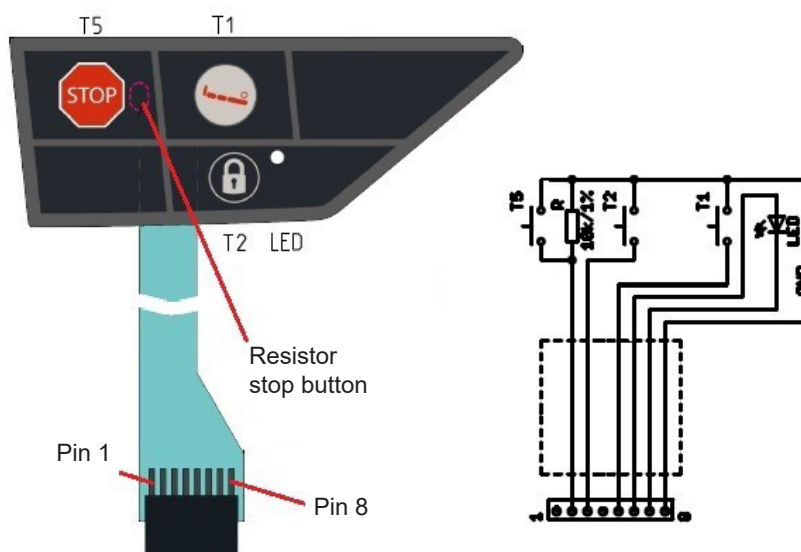


Fig. 14 Rear foil controller - without lighting and Nurse Call (left)

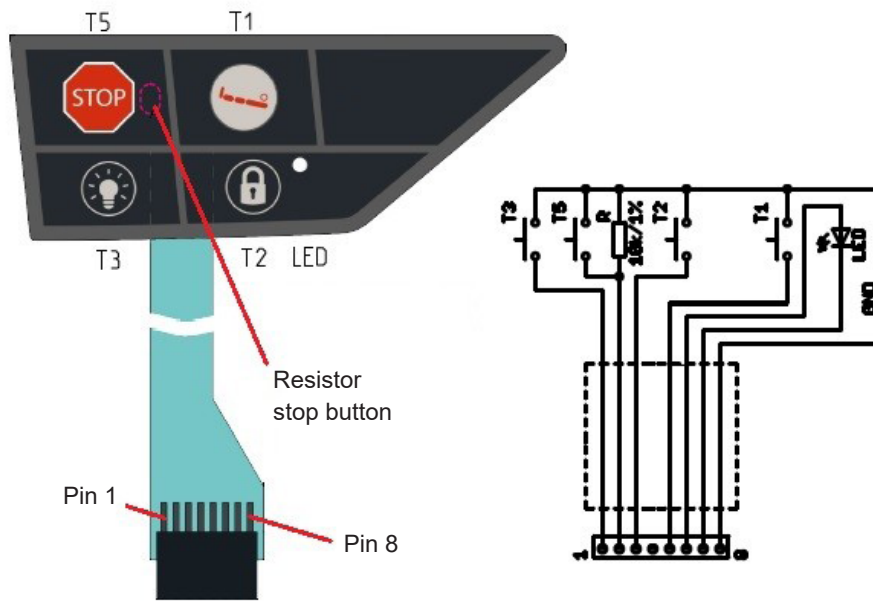


Fig. 15 Rear foil controller - with lighting and without Nurse Call (left)

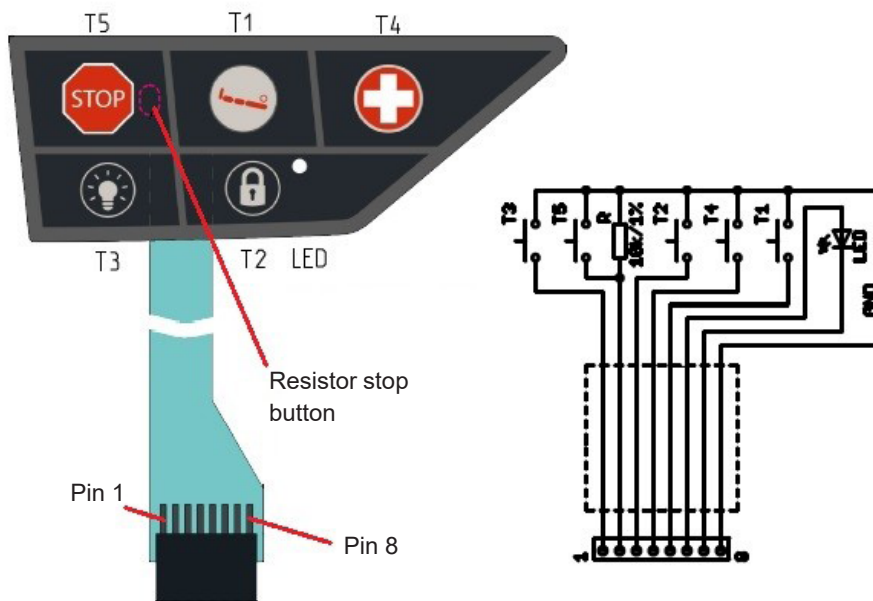


Fig. 16 Rear foil controller - with Nurse Call (left)

3.2.3 Lifting column interface

Lifting column interface measures the output voltage from hand controller (optional) (RJ connector) and sends these values to the control board. Lifting column interface is connected to Backrest interfaces and control board by 8-pins X-BUS cables.

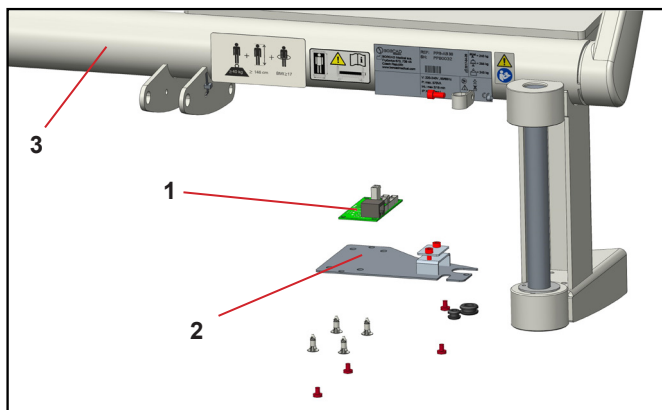


Fig. 17 Lifting column interface

Position	Description
1	Lifting column interface
2	Metal cover
3	Upper frame

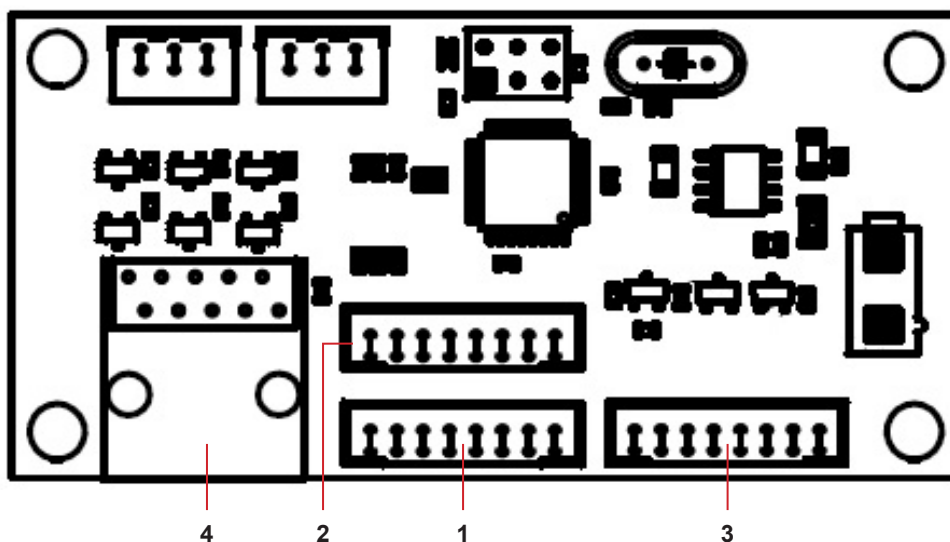


Fig. 18 Lifting column interface

Position	Description
1	X-BUS - backrest interface - LEFT
2	X-BUS - backrest interface - RIGHT
3	X-BUS - IControl board
4	Hand controller

3.2.3.1 Hand controller

The hand controller (*Fig. 19*) is an **optional controller of the bed**. A cable with an RJ connector is connected to the lifting column interface under upper frame. The hand controller contain all positioning buttons (seat section, lifting column and backrest) and mains indicator LED.

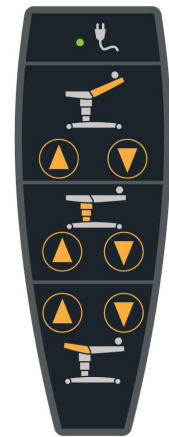


Fig. 19 Hand controller

3.3 Side rails

The side rails are at the sides of the backrest. Depending on the modifications to the bed, side rails may include Nurse call - loudspeakers, signalling, Nurse call button.

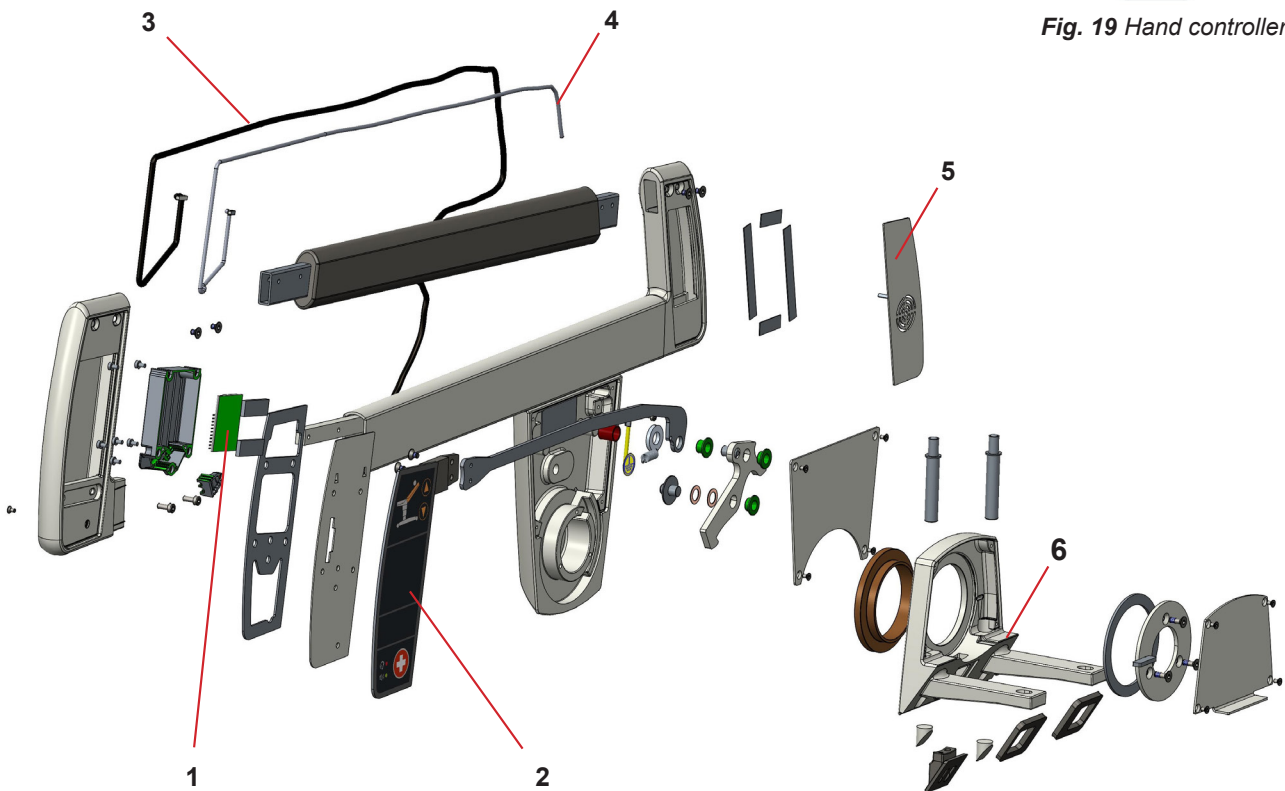


Fig. 20 Side rails

Position	Description
1	Side rail interface (right)
2	Side rail foil controller with NC (right)
3	Cable with NC loudspeaker
4	Loudspeaker cover
5	Side rail holder

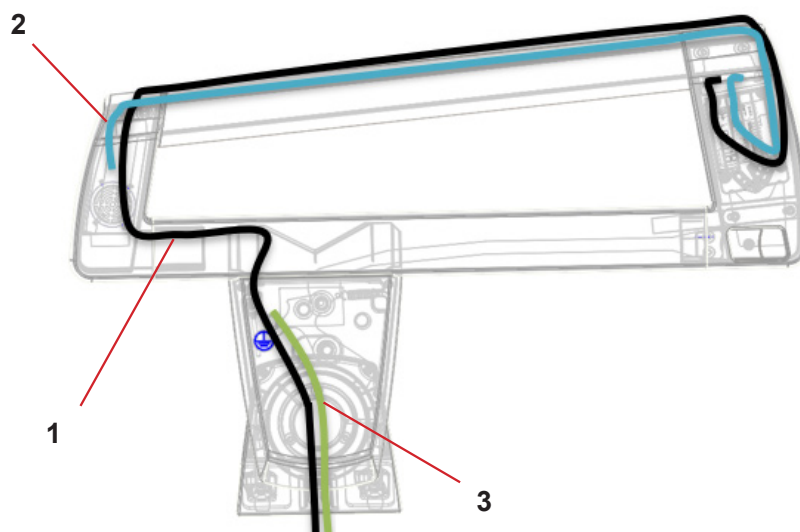


Fig. 21 Side rail wiring

Position	Description
1	X-BUS data cable
2	Nurse Call loudspeaker cable
3	Grounding

3.4 Nurse call

A device for urgent summoning of personnel, remote control and communication with patient, nurse call comprises several components. The main component is a control board, which **processes** signals from peripheral components and **transmits** them to the output. The control board is connected to the all interfaces by 8-pins X-BUS connector. Control of Nurse call function, which is in the side rails controllers and backrest rear controllers - left and right (including speaker/microphone). The control board also contains an output (X-BUS (8 pins)), via which it **sends** and **receives** data to/from external equipment. The Nurse call output connector ends by 37 pin connector. The output for connection to the Nurse Call system is on the undercarriage in the head section.



Fig. 22 Nurse call button on the side control panel

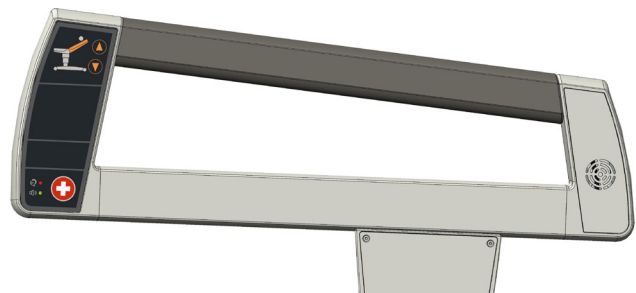


Fig. 23 Nurse call connector

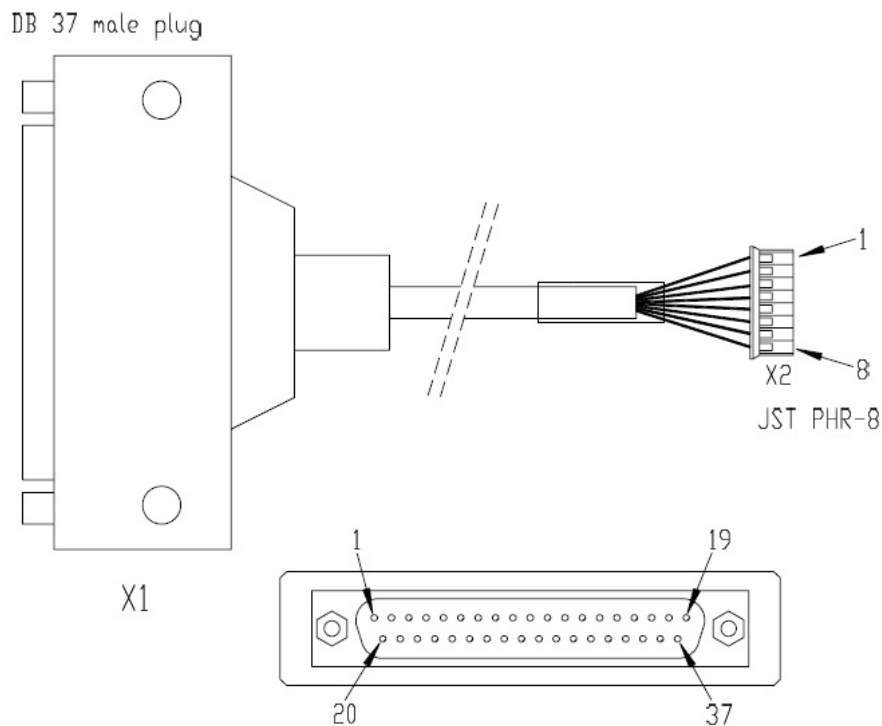


Fig. 24 Nurse call connector

3.5 Footrest

The footrest can be extended from the parking position to the active position and adjusted in height using two joint mechanisms. The height adjustment can only be made when the footrest is fully extended to the active position.

A locking gas spring is used to lock the position of the footrest at any height. A second locking gas spring is used to tilt the footrest.

Depending on the height of the bed mattress, the footrest can be assembled in two versions:

- ▶ version for a bed with a mattress height **100 mm**
- ▶ version for a bed with a mattress height **130 mm**

Both versions are made of the same components, differing only in orientation of some of them.

NOTE:

When changing from one type of bed padding to the other, the footrest needs to be adjusted. A description of the disassembly and subsequent assembly of the footrest is given in a special instruction.

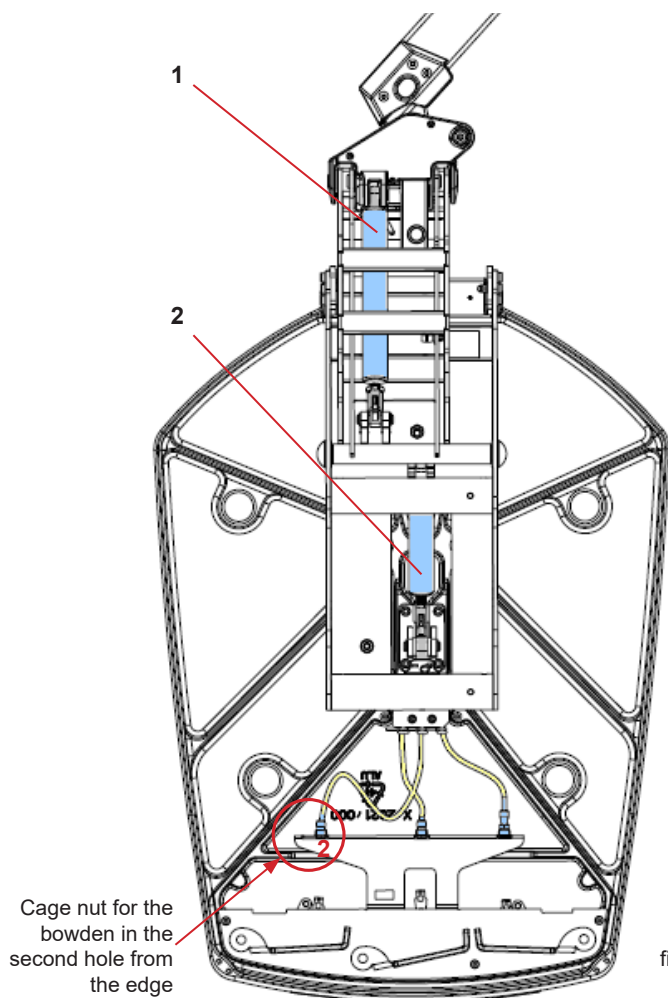


Fig. 25 Footrest - version for a bed with a mattress height **100 mm** (bottom view)

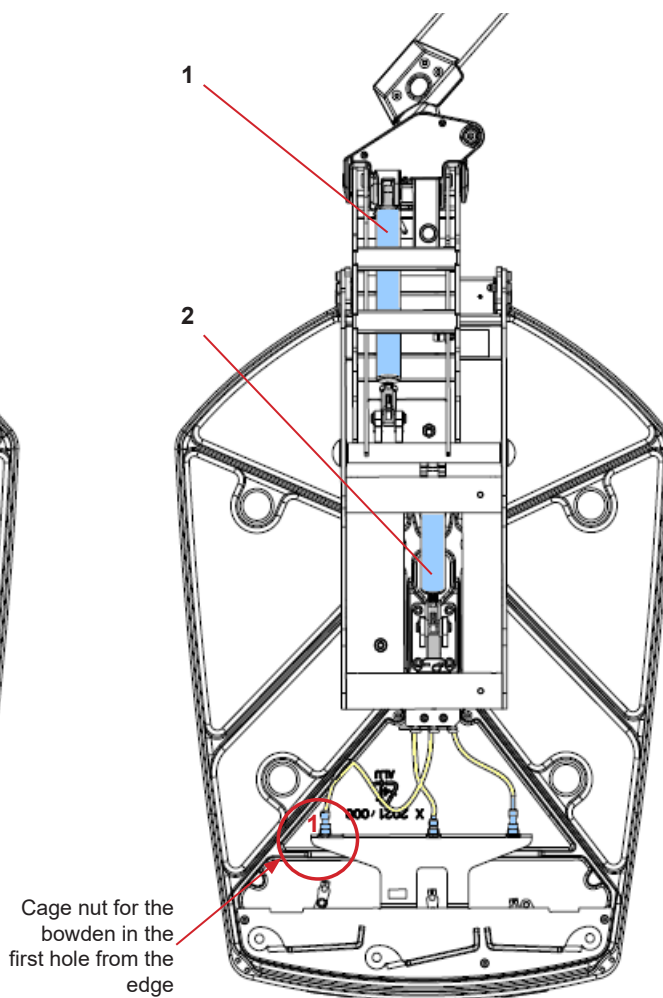


Fig. 26 Footrest - version for a bed with a mattress height **130 mm** (bottom view)

Position	Description
1	Gas compression spring 990N
2	Gas compression spring 180N

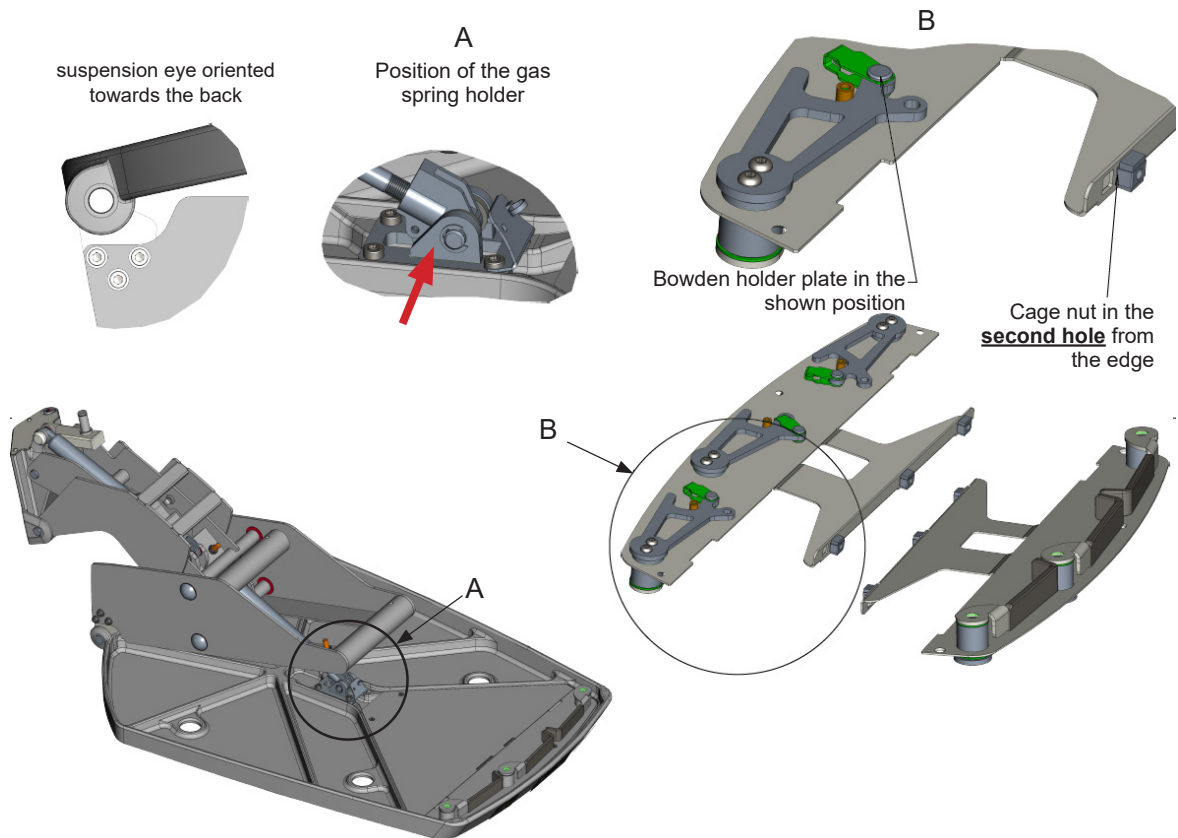


Fig. 27 Footrest assembly - version for mattress with a height of 100 mm

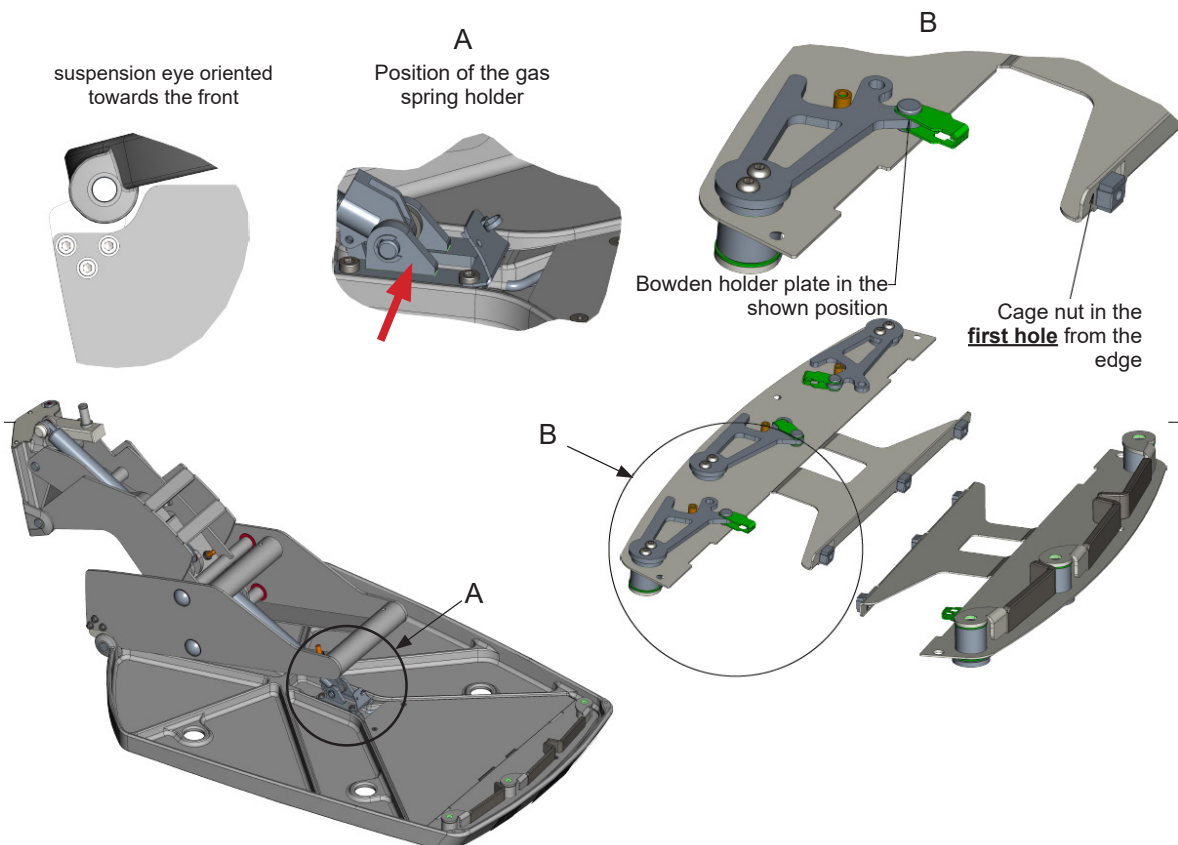


Fig. 28 Footrest assembly - version for mattress with a height of 130 mm

3.5.1 Positioning of the gas springs

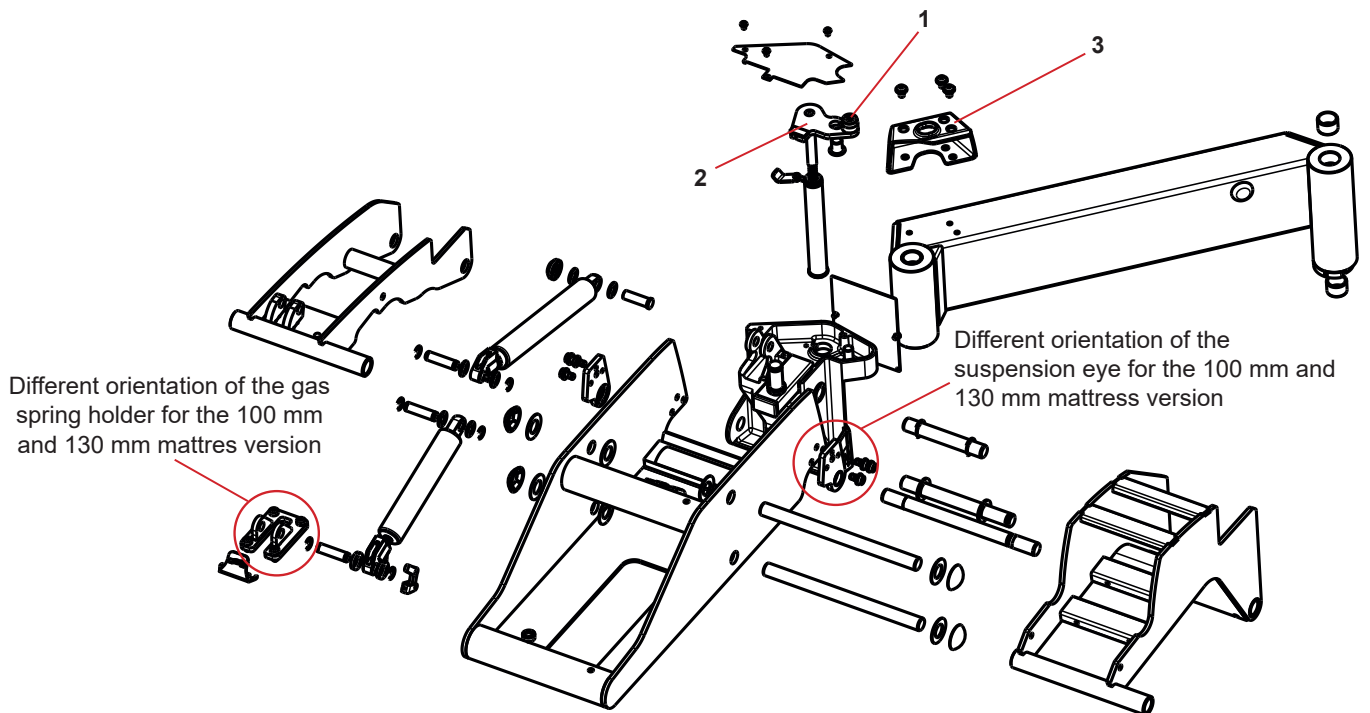


Fig. 29 Footrest assembly - version for mattress with a height of 100 mm

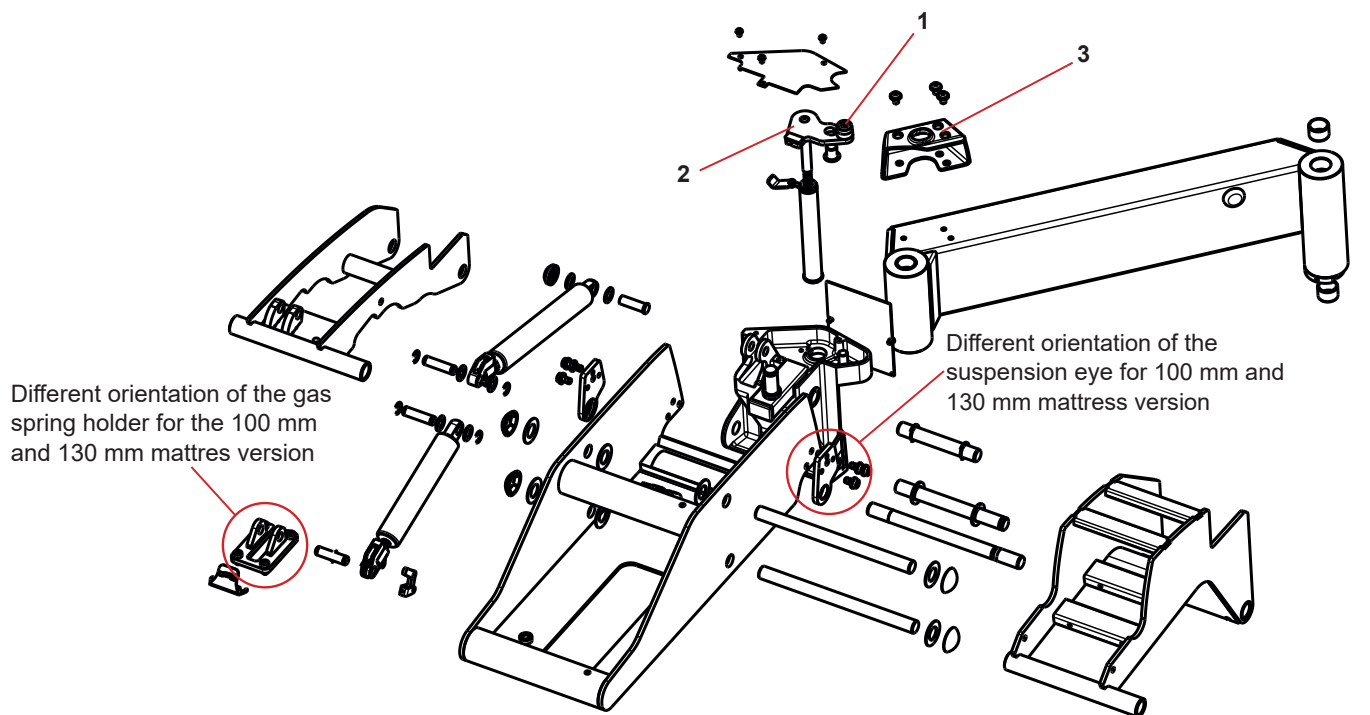


Fig. 30 Footrest assembly - version for mattress with a height of 130 mm

Position	Description
1	Pin to lock end positions of the foot section
2	Opening to catch the thin cable
3	Arresting house to secure the back end position of the foot section

3.6 Legrests

The function of the legrests can be divided according to the phase of the patient's stay in bed. In the antepartum and postpartum phases, the legrests are in a horizontal position and complement the bed surface.

In the active 'labour' phase, the **legrests can be adjusted into two positions:**

- ▶ In the first position, the legrest is tilted so that the patient places the soles of her feet on the padding
- ▶ In the second position, the legrest is flipped into the "tray" position and the patient places her knee sockets in the legrest tray. The legrest tray can be individually swivelled sideways according to the mother's body proportions using a **ball-joint mechanism**

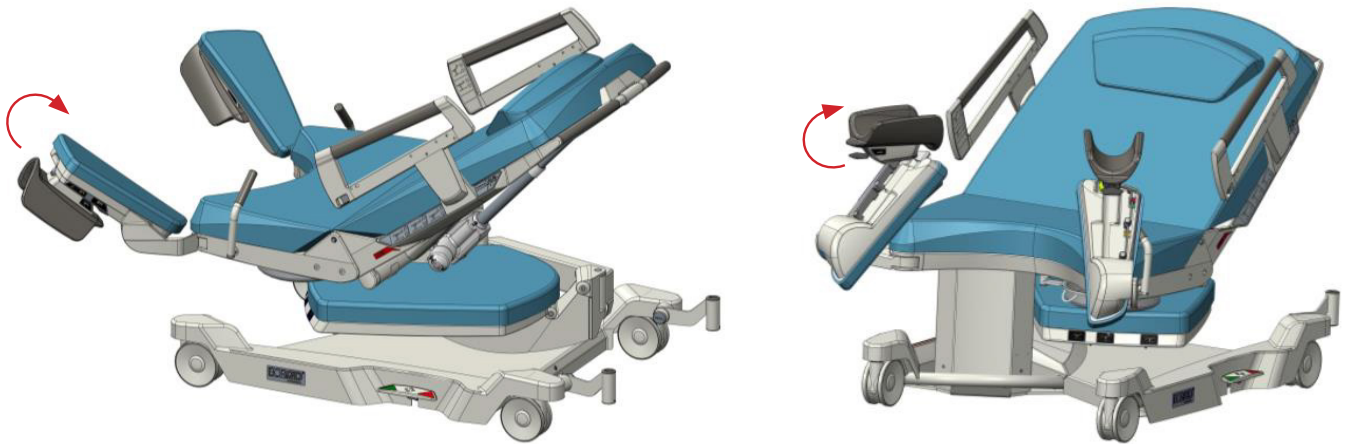


Fig. 31 Legrest positions in the active 'labour' phase

NOTE:

To ensure the correct function of the legrest tray ball-joint mechanism, it must always be **checked and adjusted as part of the Periodic Preventive Maintenance** (see Fig. 32 and Fig. 33).

For more information, please follow the **instructional video on the LINET extranet** (Legrest adjustment)

Procedure for checking the correct adjustment of the ball-joint mechanism:

- ▶ Move the legrest into the active "labour" position
- ▶ Extend the legrest tray to the highest position
- ▶ Tilt the legrest tray to the max. possible angle
- ▶ Hook a cord behind the legrest tray
- ▶ Hang the digital scale on the cord
- ▶ Pull the digital scale holder downwards. Always ensure that the **positioning lever** is **not released** when pulling the cord (see detail in Fig. 32)
- ▶ When the ball-joint moves, read the value on the digital scale
- ▶ The **optimum load** to release the ball-joint is 15 ± 1 kg:
 - » If it is released at a **load of less than 13 kg**, the mechanism **MUST** be adjusted accordingly
 - » If it is released at a **load between 13 and 16 kg**, **service intervention is not necessary**

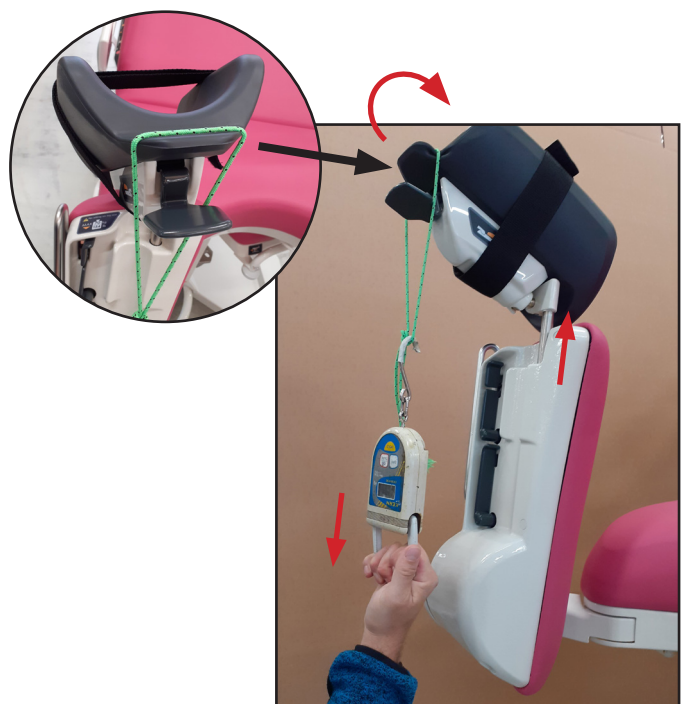


Fig. 32 Checking the adjustment of the ball-joint mechanism

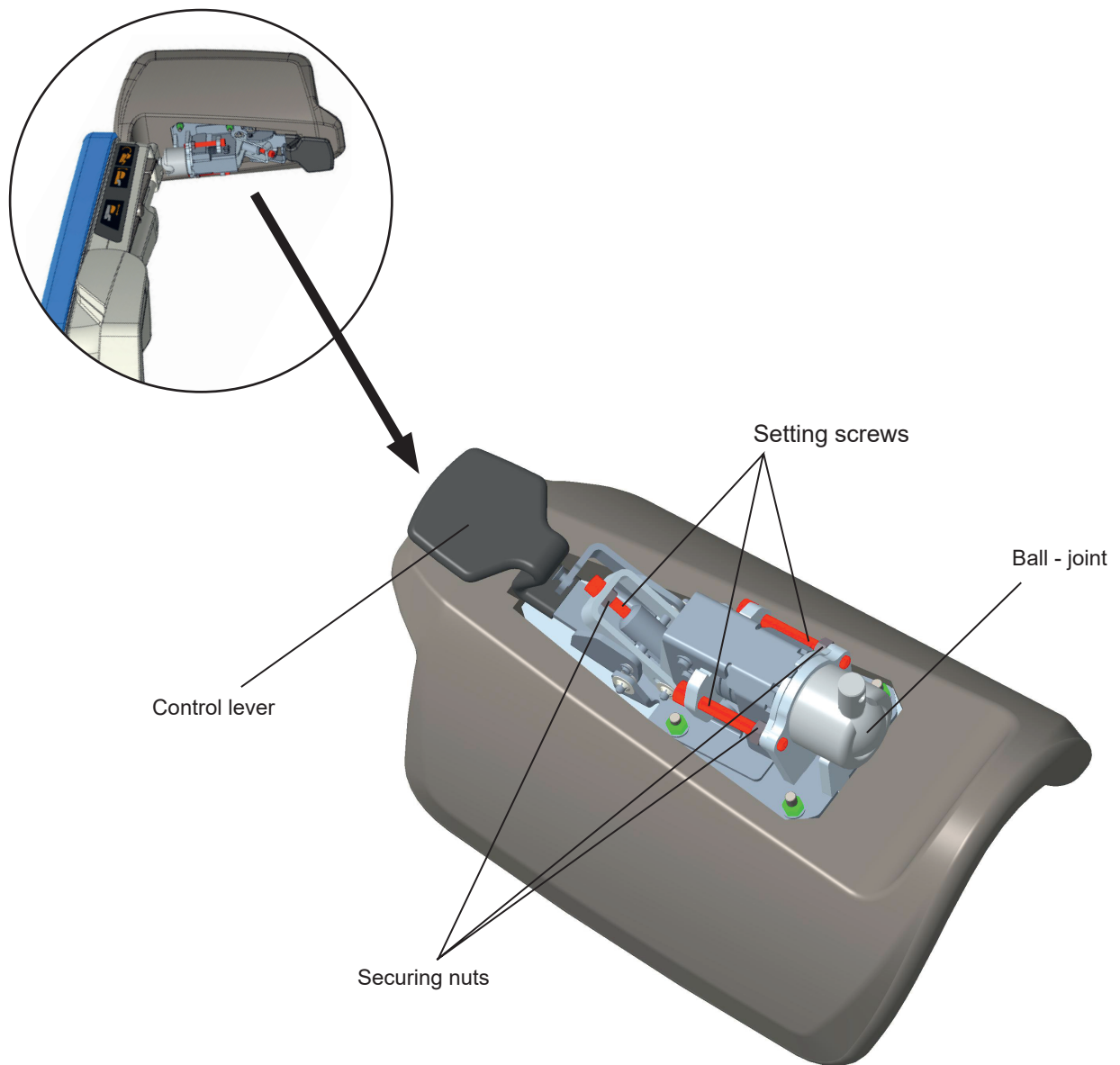


Fig. 33 Setting screws and securing nuts of the ball-joint mechanism

3.7 Actuators

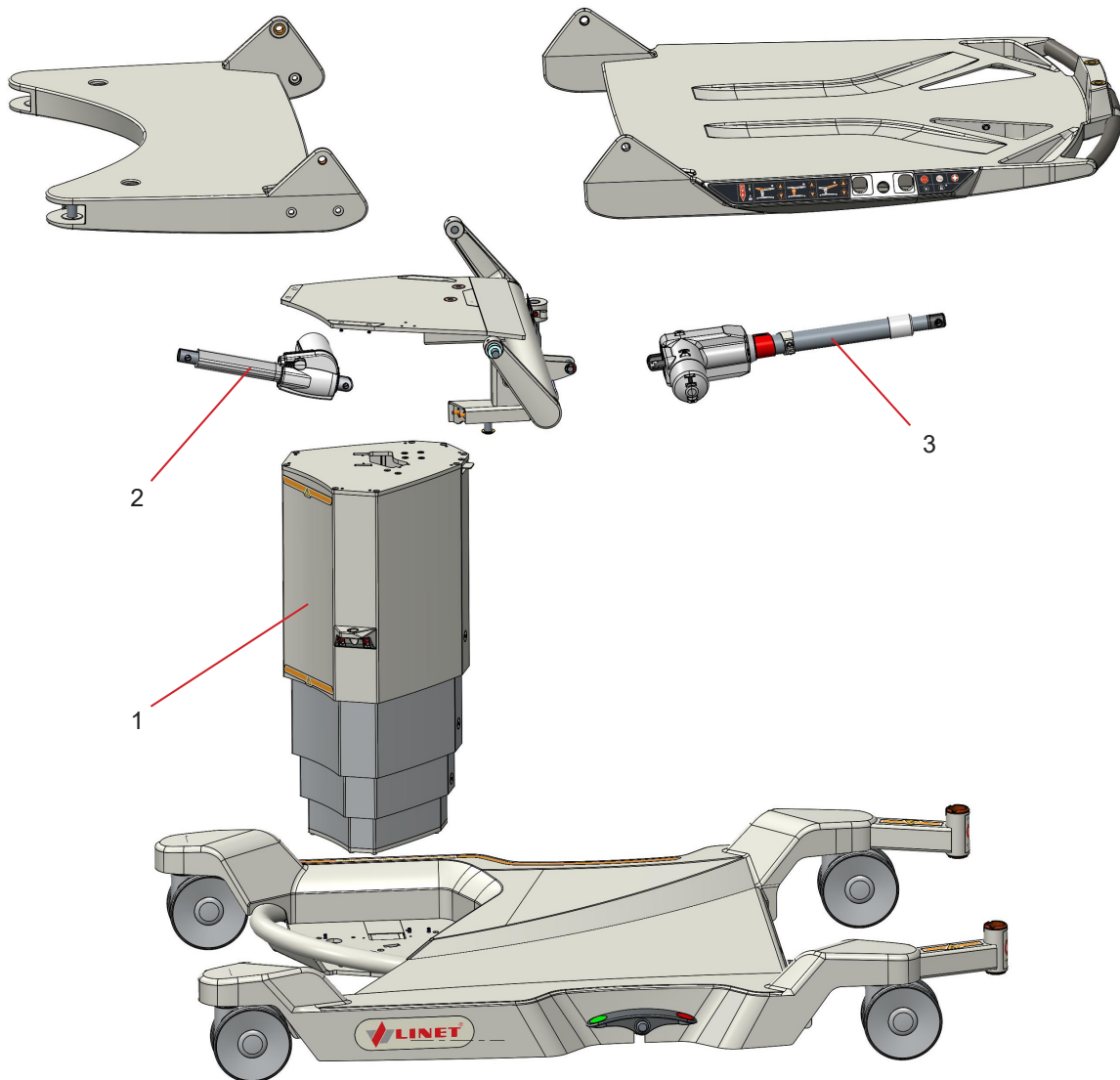


Fig. 34 Lifting units

Positions	Description
1	Lifting column
2	Seat section actuator
3	Backrest actuator

3.7.1 Backrest actuator

The backrest motor lifts the bed's backrest mattress platform. It is connected to the construction using two pins and secured safety rings. The backrest motor contains **mechanical unblocking** which is connected to the CPR levers by a steel cable. A cable with six pins connectors can be disconnected and is connected to the control board and the actuator. Control unit SW sets the maximum current load to 6A for stroke and 3A for retract.

Technical parameters:

Parameters	Values
Max. load	Push 7.0 [kN]
Mechanical release	Yes
Input voltage	24 [V]
Overvoltage protection	No
Cover	IPX4

3.7.2 Seat section actuator

The seat section motor lifts the seat section of the bed's mattress platform. It is connected to the construction using two pins and secured with safety rings. A cable with six pins connectors can be disconnected and is connected to the control board and the actuator. Control unit SW sets the maximum current load to 6A for stroke and 3A for retract.

Technical parameters:

Parameters	Values
Max. load	Push 6.0 [kN]
Mechanical release	No
Input voltage	24 [V]
Overvoltage protection	No
Cover	IPX4

⚠ WARNING!

Seat section actuator **do not connect into another actuator connector!**
 If the seat section actuator is connected into a different one, the **seat section actuator might be damaged!**

3.8 Lifting column

The lifting column contains the same 3 actuators, which work independently of each other. A cable with six pins connectors can be disconnected and is connected to the control board for each motor. Control unit SW sets the maximum current load to 6A for stroke and 3A for retract for each motor.

NOTE:

Lifting column is not possible to disassemble for replace individual motors. The entire lifting column must be replaced

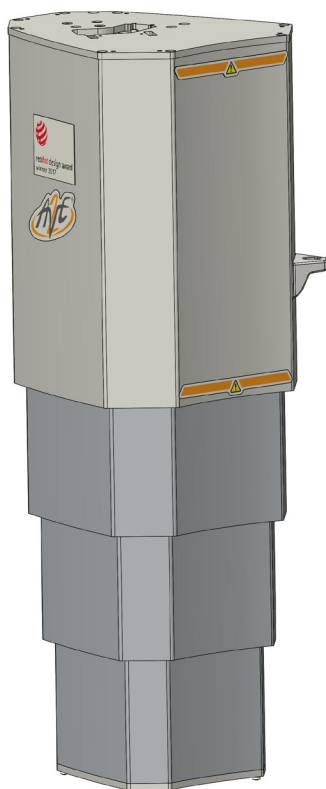


Fig. 35 Lifting column

Technical parameters:

Parameters	Values
Parameters	Values
Max. load	Push 6.0 [kN]
Mechanical release	No
Input voltage	24 [V]
Overvoltage protection	No
Cover	IPX1

3.9 USB charger

The USB charger is used for charging cell phones and tablets. It is located on the rearside of the backrest on the left side of the bed.

The USB connector has a plastic cover providing an IP protection for the USB connector. When cleaning the chair, this cover must be closed, to prevent water from entering the connector.

NOTE: Maximum current for this device is 2A.

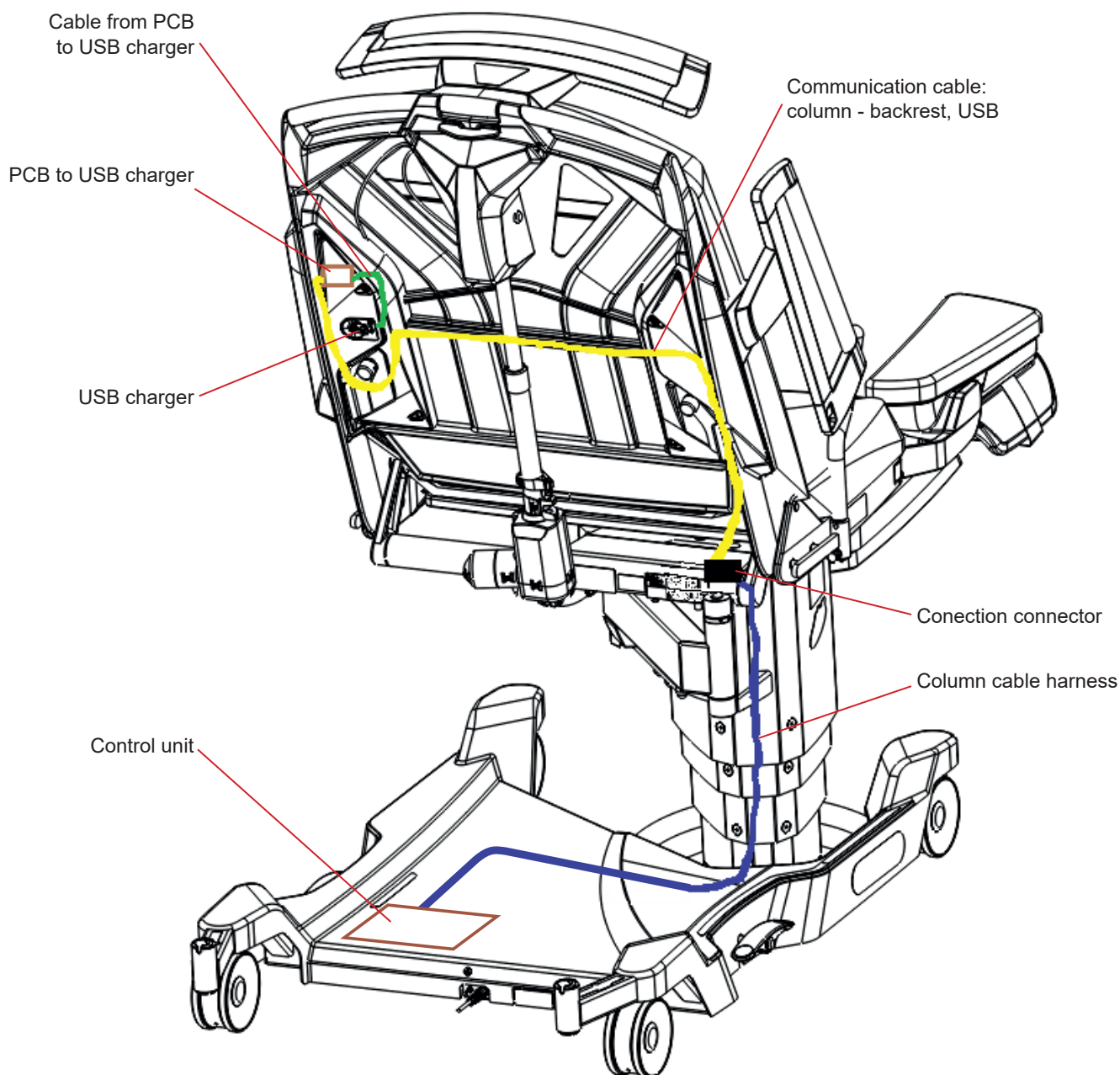


Fig. 36 USB charger wiring diagram

3.10 Under-Light of the bed

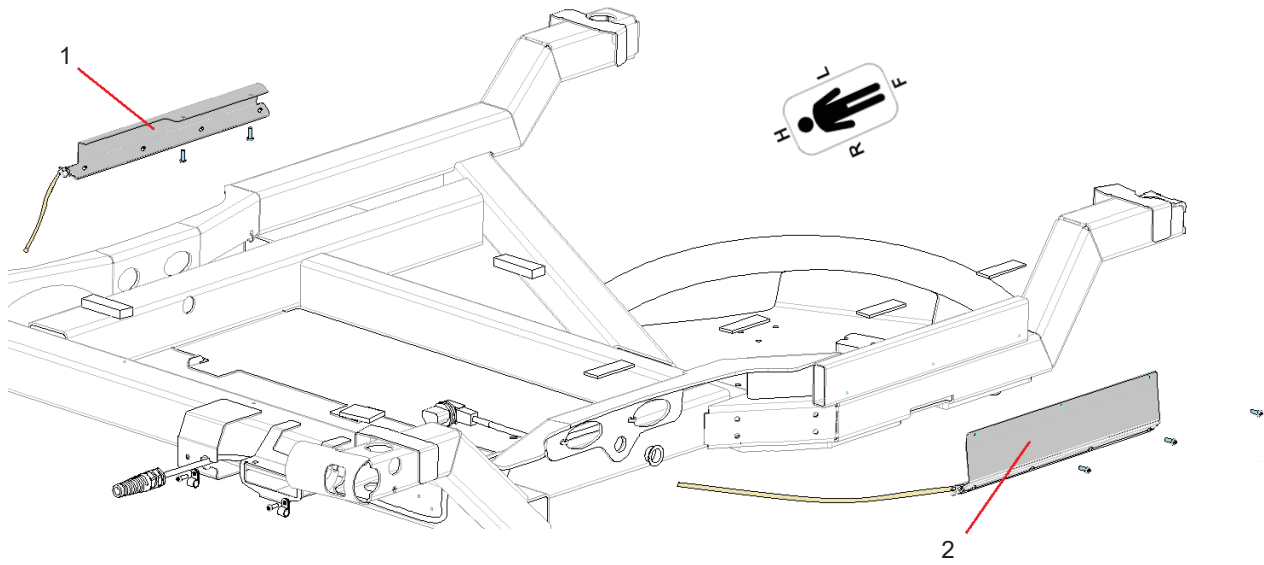


Fig. 37 Under-Light of the bed

Position	Description
1	Under-Light of the bed - LEFT
2	Under-Light of the bed - RIGHT

3.11 Castors

The delivery bed is fitted with four castors (150 mm on default) and it may be moved in all directions. Castor functions are controlled by two double-way pedal brakes.

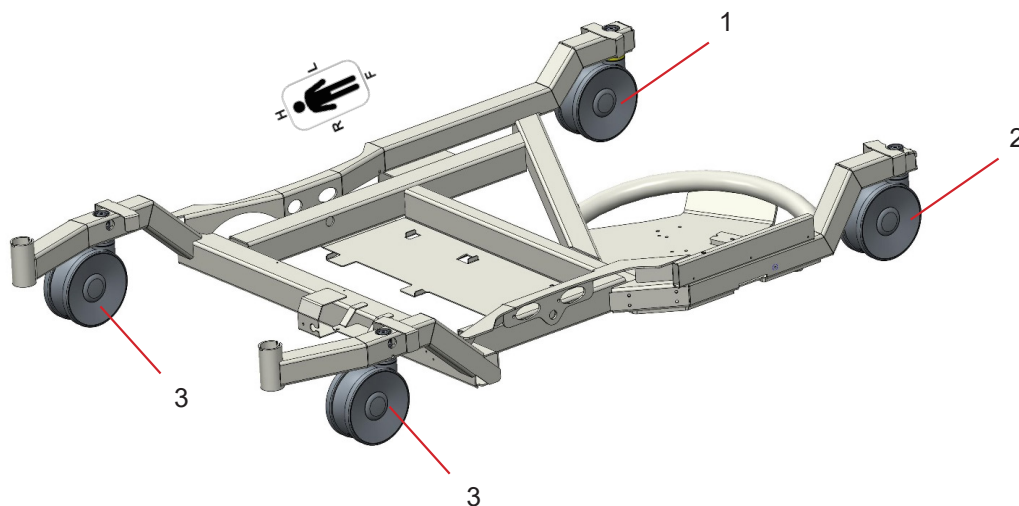


Fig. 38 Standard castors - 150 mm

Position	Description
1	Castor - free
2	Castor - brake, antistatic, direction lock
3	Castors - brake

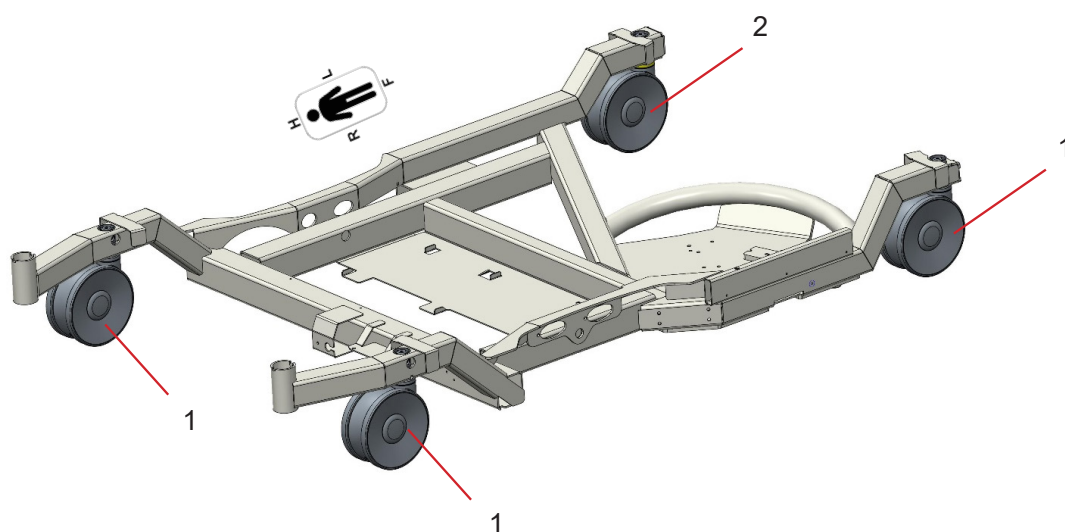


Fig. 39 Castors with longer pin - 150 mm + 20 mm

Position	Description
1	Castors - brake
2	Castor - brake, antistatic, direction lock

3.12 Upholstery

3.12.1 Upholstery of the backrest and the Head Rest

The upholstery of the seat and back sections is made of one piece. The back section is provided with a head-rest belt, being part of the upholstery of the back section, to attach the head rest to the back section.

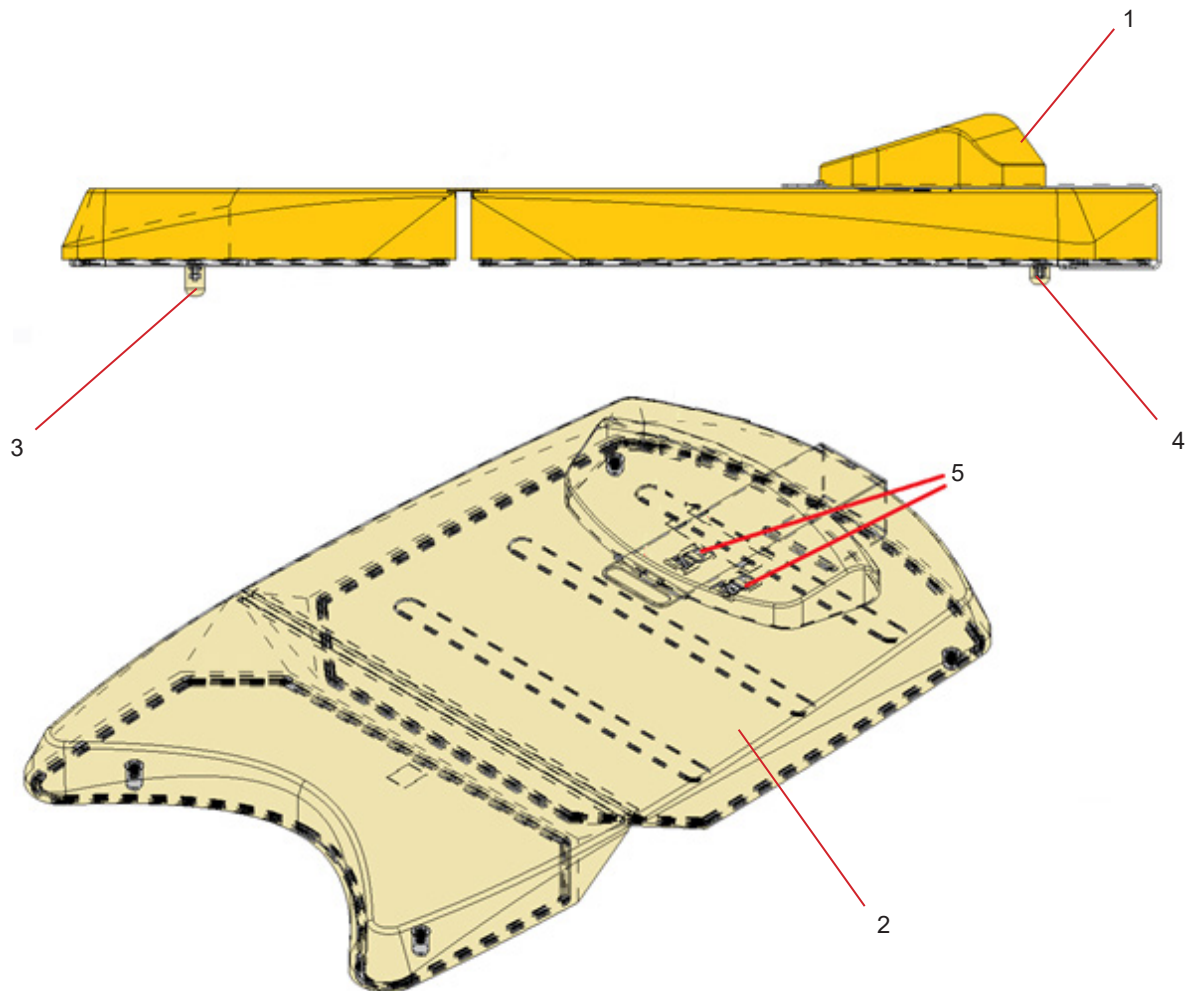


Fig. 40

Position	Description
1	Head rest
2	Upholstery of the Backrest
3	Silicon pin 40mme
4	Silicon pin 25mm
5	Lath to secure the head rest

3.12.2 Upholstery of the Foot Section

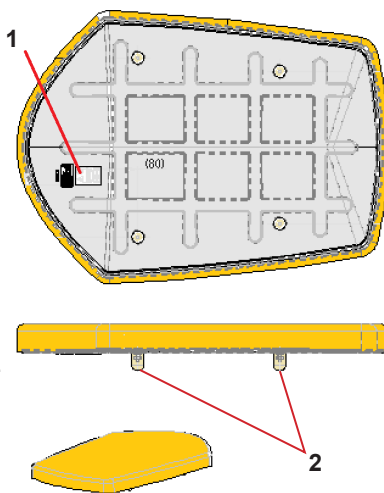


Fig. 41

Position	Description
1	Upholstery identification label
2	Silicon pin 40mm

3.12.3 Upholstery of the Leg Rests

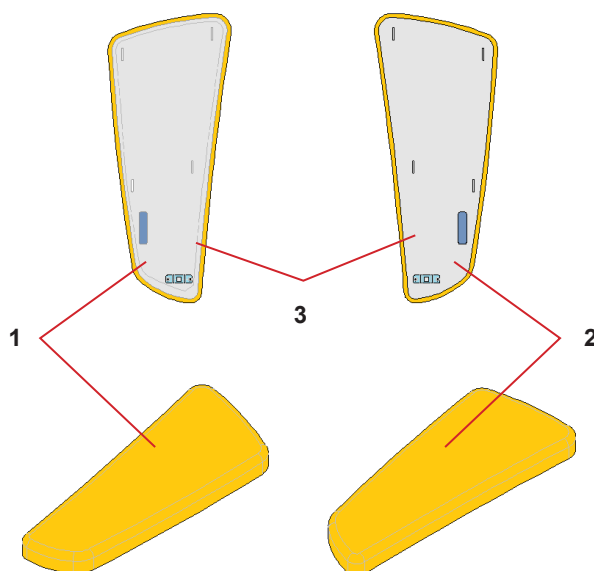
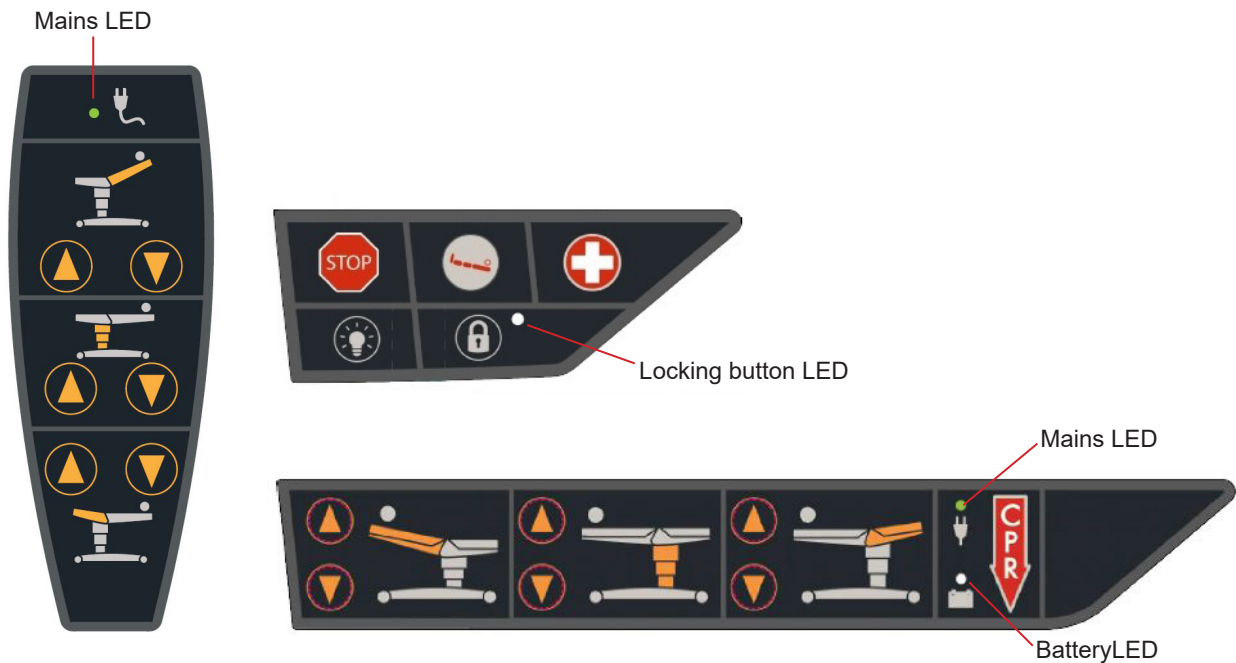


Fig. 42

Position	Description
1	Right legrest upholstery
2	Left legrest upholstery
3	Plate to catch the upholstery to the legrest

4 Bed Diagnostic

4.1 LED Blinking statuses



Service / status	LED status		
	Mains	Battery	Locking button
Locked	-	-	Illuminated
Power	Illuminated	-	-
Power fault	Not illuminated	-	-
Battery charging defect or no battery	-	Illuminated	-
Battery is charged	-	Not illuminated	-
Battery is charging	-	Blinking	-

4.2 Acoustic signalisation

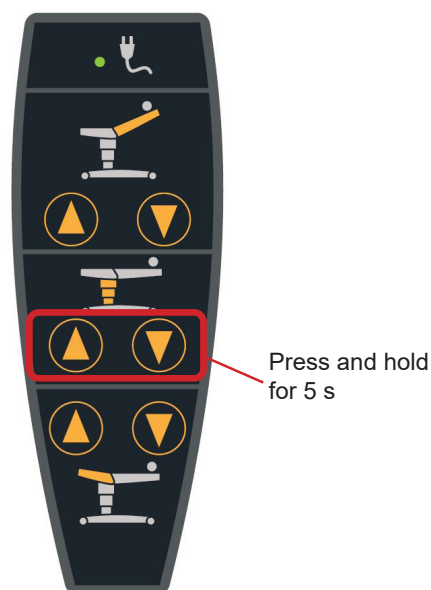
Sound signal	Condition	Action
Continuous - 1 s, while holding the button the signal repeats	Press the button when the lock is active	Function not start
Intermittent – 1x per second, while button is pressed	Press the Trendelenburg button when the foot section is not in the end position	Function not start
Intermittent – 1x per second, while a button is pressed	Press the button for movement when battery is low	-
Intermittent – 1x per second, while a button is pressed	Press the button for actuator movement when measured overcurrent in this actuator	The actuator movement is blocked
Intermittent – 7x per 3,5seconds, repeats after 15 s	One or both STOP buttons are disconnected	-
Intermittent – 9x per 9 seconds, repeats after 30 s	Leaks in the controller	2 buttons are blocked for 1 the interface
Continuous - unlimited time	Voltage on the actuator not to be started (broken relay - not open)	The movements are blocked for the all actuators
Continuous - unlimited time	Current measurement in the off channel	The movements are blocked for the all actuators
Continuous - while a button is pressed	Simultaneously press both (UP and DOWN) lifting column buttons for approx. 5 s	Reset error values in control board

4.3 Reset control board

When a control board saves error values (e.g. overcurrent protections) and starts blocking functions, it is possible to reset this error values and restore functions:

Press and hold simultaneously UP and DOWN lifting column buttons (doing so on any controller) for 5s.

Successful reset is accompanied by **acoustic signal**.



5 Bed Setup

5.1 Backrest accelerometer calibration

After replacing always calibrate:

- ▶ LEFT backrest interface

NOTE:

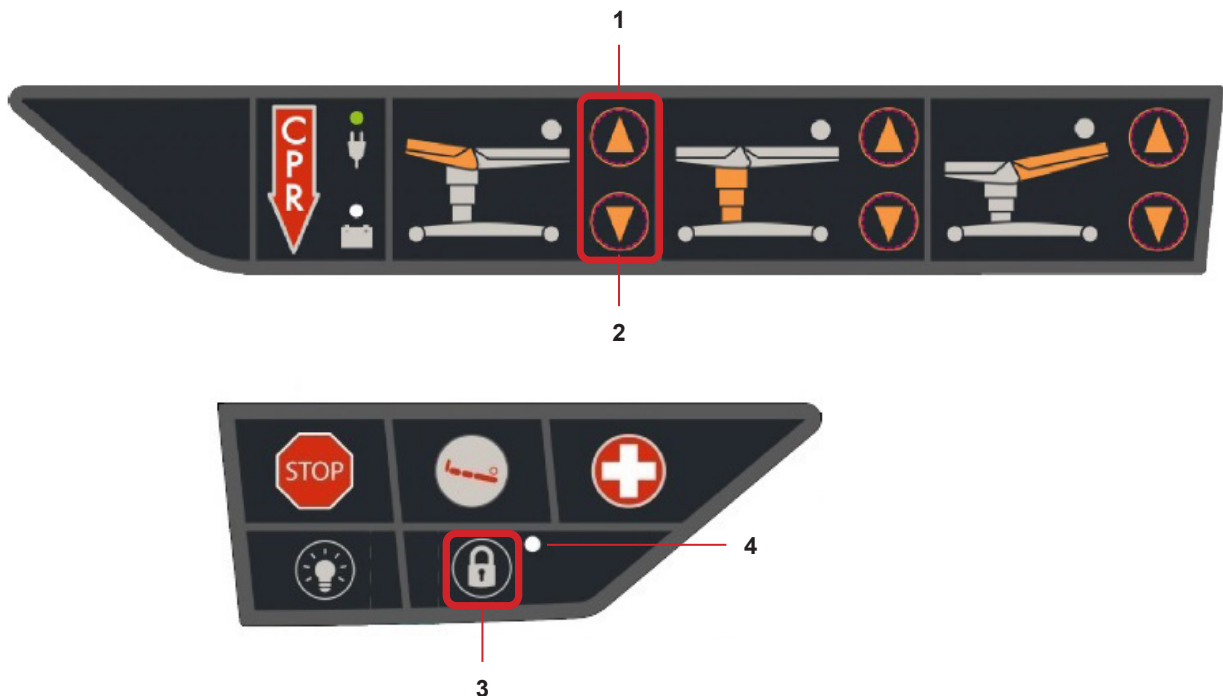
Calibration of accelerometer means: Calibrating the backrest accelerometer in the horizontal position.

CAUTION

Before calibration takes place, the left backrest interface must be installed correctly and the bed must be connected to the mains. Calibration must be performed without load on the loading area.

Backrest accelerometer calibration process:

- ▶ Adjust the backrest to the horizontal position (0°)
- ▶ On the LEFT backrest controller press and hold lowering (1) + lifting of the seat section (2) + Locking button (3) on the
- ▶ Hold the buttons and wait until the LED of the locking button (4) starts to shine
- ▶ Unlock the bed by pressing and holding the locking button again



6 Service Tools and Equipment

6.1 List of tools and equipment

Socket set		Multimeter	
Hex / Torx key bit set		Tape measure	
Screwdriver set		Knife	
Engineer's wrench set		Hammer, nylon hammer	
Hex key set		Crimping tool for RJ connectors	
Torque wrench		Service cable for control box	
Set of pliers		Digital scale	

Manufacturer:

L I N E T spol. s r.o.
Želevčice 5
274 01 Slaný

Tel.: +420 312 576 111
Fax: +420 312 522 668

E-mail: info@linet.cz
<http://www.linet.com>
Service department: service@linetgroup.co

LINET

AVE2

Birthing bed

Author: L I N E T, spol. s r.o.
Related links: www.linet.com

D9S004PPB-0101

Version: 02
Date of revision: 2021-12

Copyright © L I N E T spol. s r.o., 2021
Translation © L I N E T, spol. s r.o., 2021
All rights reserved.

All trademarks and brands are the property of the appropriate owners. The manufacturer reserves the right to changes in the contents of this manual that relate to the product's technical regulations. It is for this reason that the contents of this manual may indicate differences from the current manufacture of the product.