

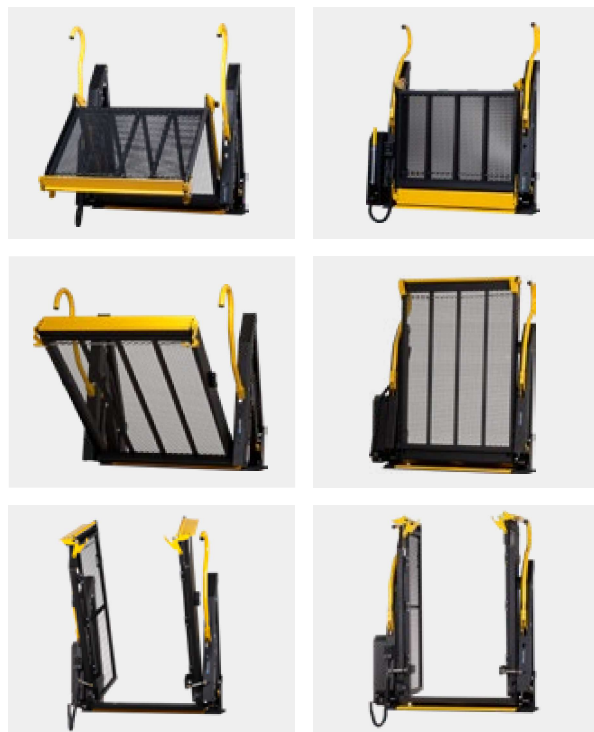
Wheelchair lifts

Lifts that can help a person to comfortably and safely enter a vehicle while seated in a wheelchair.



E-Series

Wheelchair lifts you can rely on.



The E-Series is the next generation workhorse from a brand that is synonymous with high-quality wheelchair lifts. Trusted for over 40 years, BraunAbility has re-invented the wheelchair lift. A modern take on simple, effective and reliable. But there's one thing about the E-Series that is more than meets the eye. Its superior platform stability.

The goal of the E-Series is to be the essential lift. There are no unnecessary or costly exclusive features. The design is simple and spare parts are universally interchangeable over the entire series. As an added bonus this design also means fewer points of potential failure and fewer points of service.

The E-Series wheelchair lifts come in three different platform types, Folding, Split and Solid. They are all well-proven platform types that have their own benefits. Choose the platform type that best suits your application.

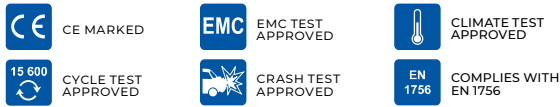
Quick facts

- Super rigid platform
- Simple design
- Durable and intuitive hand pendant
- Easy service
- Ample kick-out
- Universal installation kit included

Specifications

POWER SUPPLY 12 V

To guarantee your safety BraunAbility products are designed and tested according to current directives and standards.

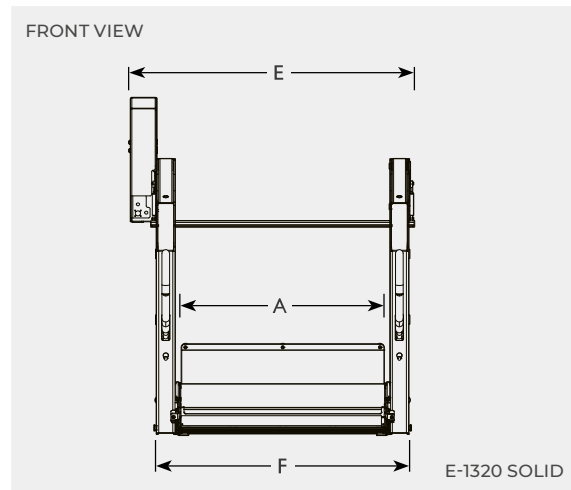
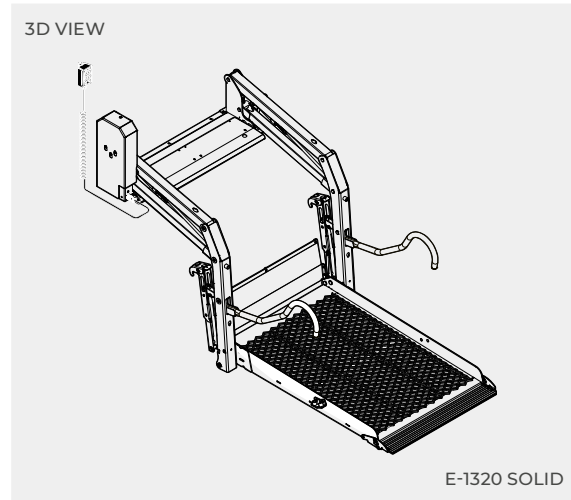
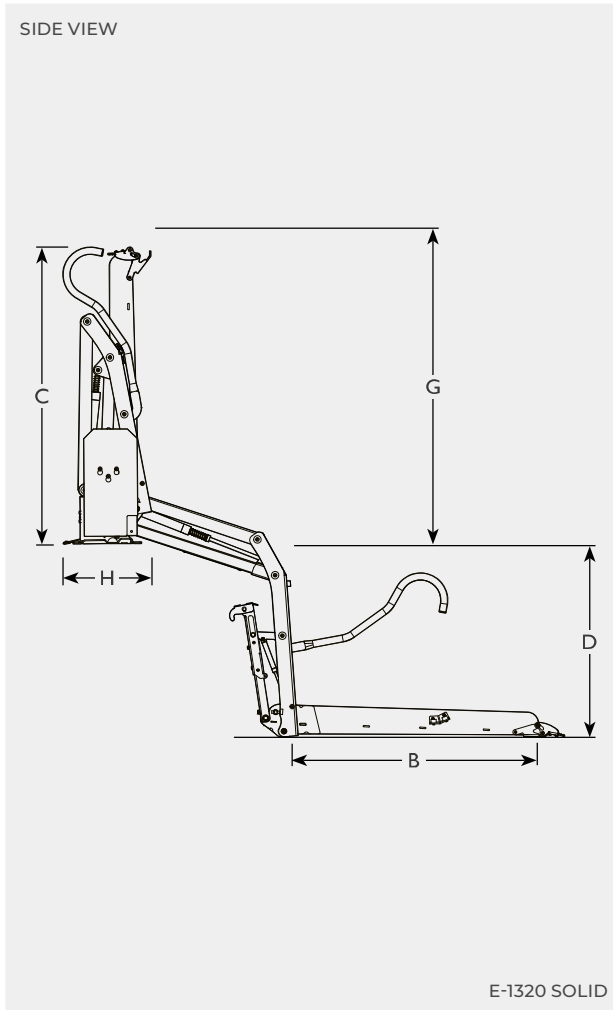


COMPLIES WITH REACH, GADSL, ROHS AND 3TG.

E-Series

Dimensions and models

Universal installation kit is included.



E-Series		Pump side* (seen from outside)	Clear platform width	Clear platform length	Overall lift height	Max floor to ground	Overall lift width	Min clear door opening width	Min clear door opening height	Overall depth	Weight capacity	Unit weight
		A	B	C	D	E	F	G	H			
409177 / 409176	E-1500 Folding	right / left	86	150	136	80	122	110	138	43.3	400	146
409173 / 409175	E-1300 Folding	right / left	74	130	110	80	110	98	112	43.3	400	133
409174	E-1500 Solid	right	90	150	160	80	126	114	162	43.3	400	144
409172 / 407999	E-1320 Solid	right / left	86	132	142	80	119.5	108.5	144	34	400	137
409117 / 408126	E-1050 Solid	right / left	74	105	115	80	108.5	96.5	117	35	400	124
409170 / 408127	E-1320 Split	right / left	86	132	142	80	119.5	108.5	144	54.5	400	149
409171 / 408128	E-1050 Split	right / left	74	105	115	80	108.5	96.5	117	47.5	400	137

All weights and dimensions are given in kilograms and centimetres, and for reference only. *all pump modules are fixed to one side of the lift

Accessories

E-Series

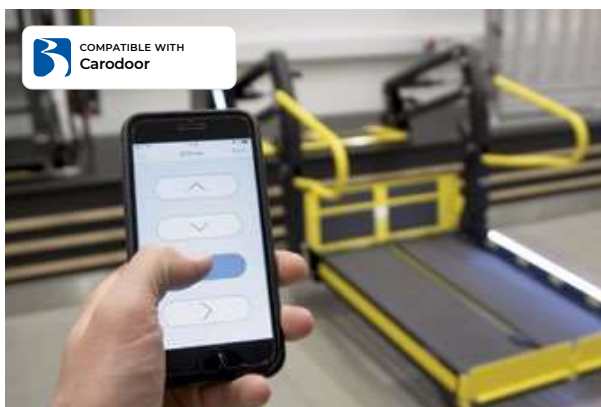


Vehicle specific mounting brackets available
dealerweb.braunability.eu

Carodoor®

Carodoor is an automatic door opener for rear doors. When using the Carodoor it's connected so that it works in unison with the wheelchair lift. In other words, you can control everything from a single remote. The doors will open before the lift comes out and they will close again once the lift stows.

- 105200** Carodoor (E-Series)
- 103945** Universal door brackets (Carodoor)
- 105137** Remote control kit (Carodoor)
- 105203** BraunAbility Remote for Carodoor with E-Series
- 401957** Installation service on E-Series lift



BraunAbility Remote

By adding our Bluetooth® receiver you can control your BraunAbility product via your smartphone or similar device using the BraunAbility Remote app.

Available languages: Dutch, English, Finnish, French, German, Italian, Japanese, Polish, Portuguese, Spanish and Swedish.

- 105107** for E-Series
- 105203** for Carodoor with E-Series



Light kit

Platform lights for better visibility in low light.

- 105831** Light kit
- 401959** Installation service



Amber light kit

Orange flashing warning lights.

- 402038** Amber light kit
- 401956** Installation service



Rocker switch kit

Control the lift from a switch on the lift arm.

- 400110** Rocker switch kit
- 401955** Installation service



Cutting handrails

Making the E-1500 Folding (105798) fit in vehicles with a low rear entrance height.

- 401958** Cutting service



Pivot pin removal tool

Tool to facilitate removal and insertion of pivot pins in lift arms.

- 105931** Pivot pin removal tool



Emergency release handle

Permit quick release from the inside of the vehicle.

- 409120** E-Series (fixed pump)



Pendant hanger

Hanger for the pendant mounted in the vehicle.

- 103695** Pendant hanger



Pendant harness

Kit for placing the hand control on the opposite side of the lift. For E-Series.

- 103696** Pendant harness



Imperial tool set

Tools for USA made products with imperial based fastenings.

- 401777** Imperial tool set



Ski-wheel kit, folding

Platform wheels for smooth operation on uneven surfaces. For E-Series Folding platform.

- 454833** Ski-wheel kit, Folding



Ski-wheel kit, Solid/Split

Platform wheels for smooth operation on uneven surfaces. For E-Series Solid/Split platform.

- 408298** Ski-wheel kit, Solid/Split

A-Series

Cassette lift for public transport mini-buses.



We developed the A-Series lift for the European public transport market. The key focus points are low weight, reliability, quick installation and ease of service.

It has the lowest weight to lift capacity which also makes it the green choice in terms of fuel economy. Depending on the vehicle, a lightweight lift might be just the trick to get that one extra seat in and still comply with regulations.

For us, a reliable lift is one that will do its job regardless if it is used several times a day or only once a year. We've designed the A-Series to withstand the wear and tear that comes with public transport; dirt, water, extreme temperatures as well as the passage of time.

Our vehicle specific mounting brackets make the A-Series quick to install. Fine-tuning the lift's position very easy, thanks to the design of its attachment.

All the installation benefits transfer to servicing of the lift. It's quick to remove and easy to reach everywhere. As the A-Series uses only common relays and switches for its functionality, it has no proprietary electronics that can fail.



Quick facts

- Lowest weight to lift capacity ratio
- Quick and easy to install
- Mounting brackets for all major vehicle manufacturers
- Designed to endure dirt, water, extreme temperatures and years of use
- Anti-slip platform surface
- Smooth and silent in operation

 **Vehicle specific mounting brackets available**
dealerweb.braunability.eu

Specifications

POWER SUPPLY 12 V

To guarantee your safety BraunAbility products are designed and tested according to current directives and standards.



103794 Extra hand control



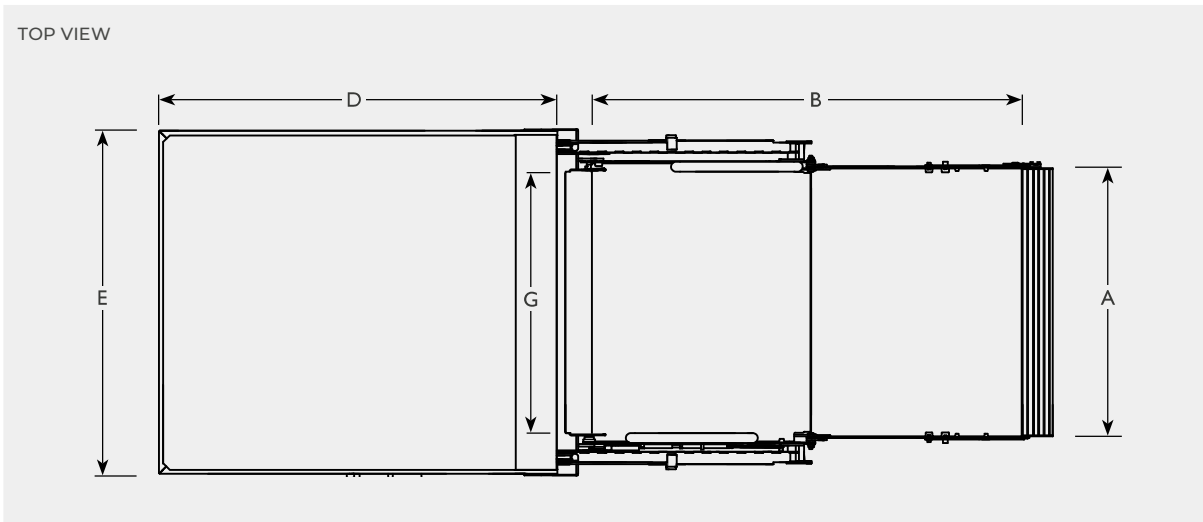
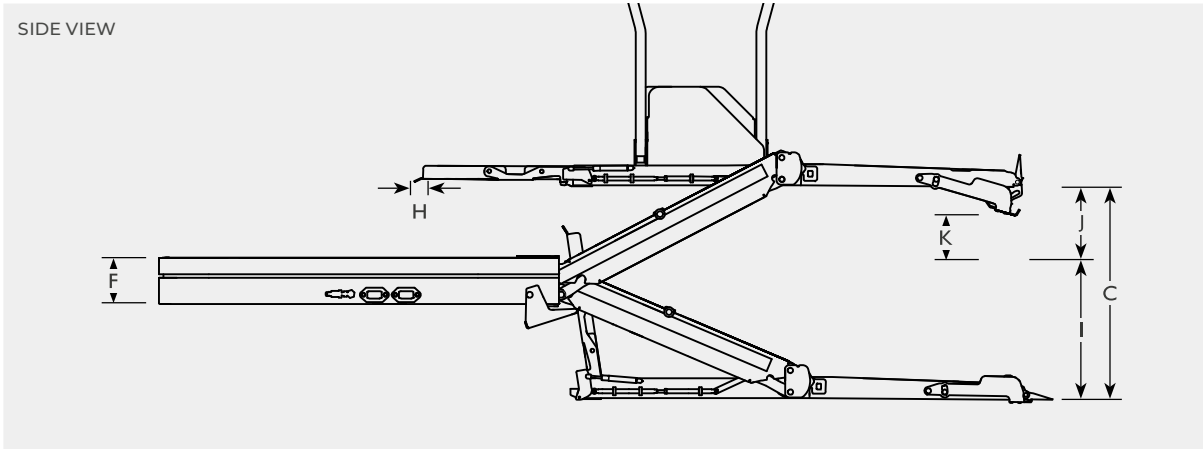
103876 Wireless remote



A-Series

Dimensions and models

Requires a mounting bracket (Dealerweb) for installation.
Recommended accessories: Foot step, BraunAbility Remote



		A	B	C	D	E	F	G	H	I	J	K		
		Clear platform width	Clear platform length	Max floor to ground	Cassette length	Cassette width	Cassette height	Min clear door opening width	Minimum overlap	Max travel down	Max travel up	Min travel up	Weight capacity	Unit weight
A-Series														
105164	A-1360 Under vehicle	80	122-136*	107	122	105	14	82	2	64.5**	43**	13**	350	124
103702	Foot step (Sprinter, Crafter, Transit)													
103898	Foot step wide (Boxer, Jumper, Relay, Ducato)													
103912	Foot step rounded (Master, NV400, Movano)													
105198	Universal mounting bracket													
103794	Extra hand control													
103876	Wireless remote													
105110	BraunAbility Remote: A-Series													
103885	Pinch protection													

All weights and dimensions are given in kilograms and centimetres, and for reference only. *depending on the installation height and the angle of the bridge plate
**measured from the top of the cassette

UVL-Series

Accessibility for M3.



The UVL-Series are well-proven lifts for commercial use. Mounted in the step or other dedicated compartments of the bus, they stay out of sight and out of the way until called upon. The UVL-Series wheelchair lifts are fully automatic and operated by an attendant using a hand-held control.

Our UVL lifts are high-quality well-proven workhorses. These lifts are installed in thousands of buses and used daily all over the world. Each unit goes under rigorous scrutiny both during and at the end of the production phase. We do this to ensure a lift that will do its job and continue to do so for a long, long time.

Quick facts

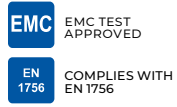
- Discreet installation does not take up valuable floor space
- 3-button pendant controls all lift functions
- Manual backup keeps the lift operational even in a complete vehicle electrical failure
- Anti-slip platform surface
- Quiet and rattle-free in operation and while driving

Specifications

POWER SUPPLY 24 V

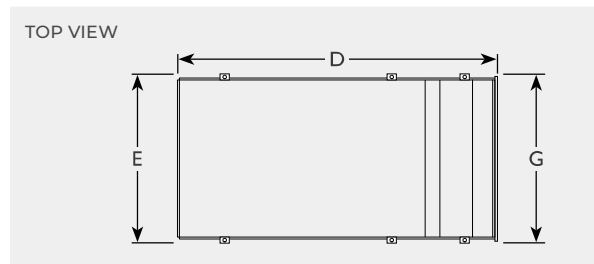
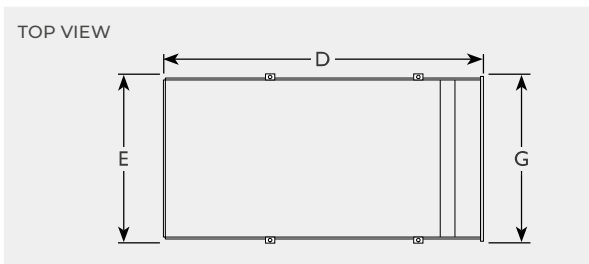
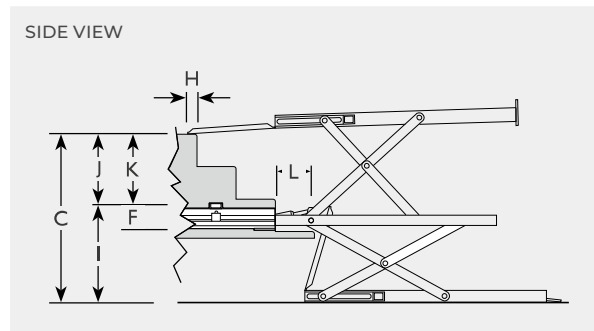
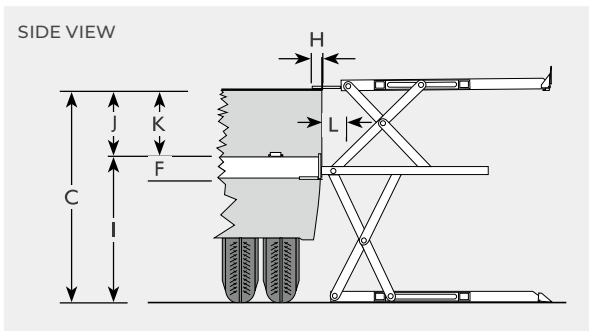
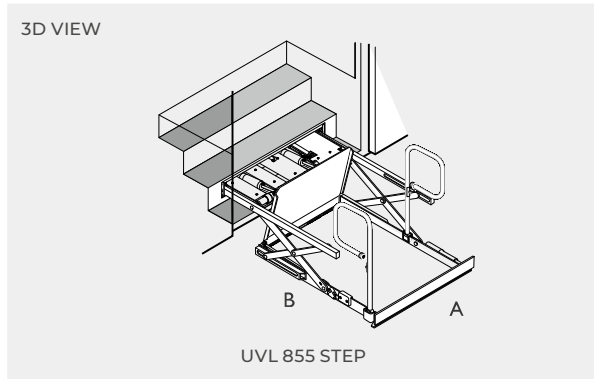
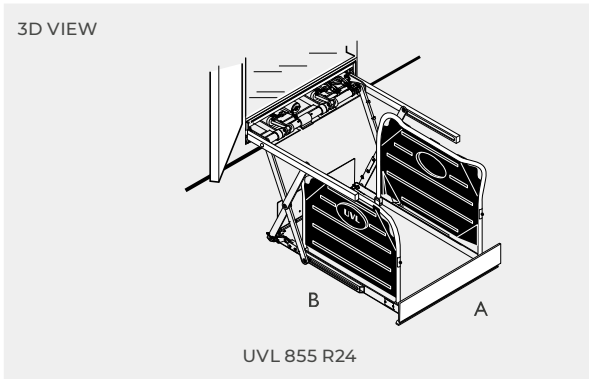
To guarantee your safety BraunAbility products are designed and tested according to current directives and standards.





UVL-Series

Dimensions and models



UVL-Series	A	B	C	D	E	F	G	H	I	J	K	L	Max out travel	Weight capacity	Unit weight
103156 UVL855 R24	76	135	160	184	110	13	110	3.8	93	67	12	8	340	263	
103184 UVL855 STEP	80	122	124	195	110	13	108	3.8	57	67	48	30	363	272	

All weights and dimensions are given in kilograms and centimetres, and for reference only.